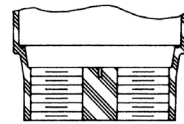
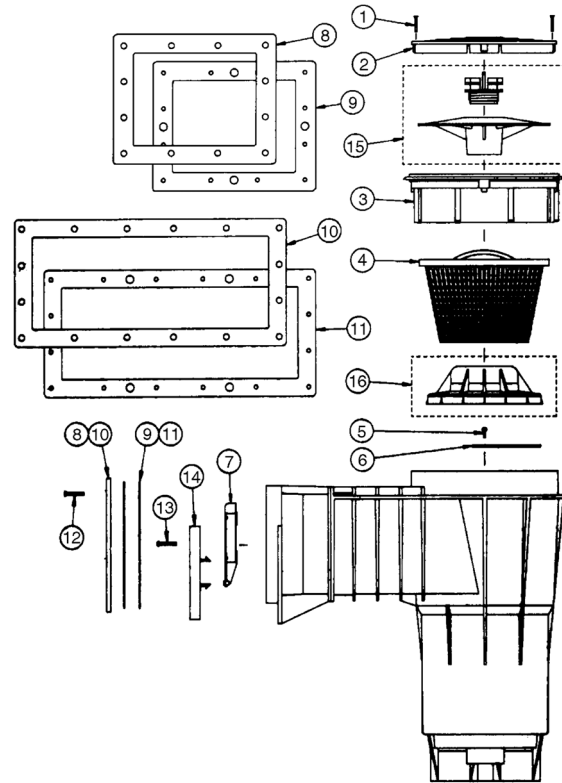


Bermuda™ Skimmers

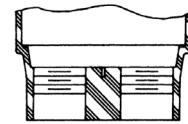
Replacement Parts for Gunite & Vinyl Liner Skimmers



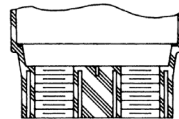
| Item | Part No. | Description | US List | Can. List |
|-------------------------|----------|--|---------|-----------|
| BERMUDA SKIMMERS | | | | |
| 1 | 516242 | Screw, No.8-32 x 1 in. SS, 2 req. | 1.15 | 1.18 |
| 2 | 516215 | Deck lid, white | 22.34 | 23.01 |
| 2 | 516216 | Deck lid, tan | 22.34 | 23.01 |
| 2 | 516306 | Deck lid, black | 22.34 | 23.01 |
| 3 | 516259 | Deck collar, vinyl, white | 24.67 | 25.41 |
| 3 | 516260 | Deck collar, vinyl, tan | 26.41 | 27.20 |
| 3 | 516307 | Deck collar, vinyl, black | 29.81 | 30.70 |
| 3 | 516253 | Deck collar, gunite, white | 19.72 | 20.31 |
| 3 | 516258 | Deck collar, gunite, tan | 23.02 | 23.71 |
| 3 | 516329 | Deck collar, gunite, black | 25.19 | 25.95 |
| 4 | 516112 | Basket | 24.25 | 24.98 |
| 5 | 516243 | Screw, No.8 x 1/2 in. SS | 0.25 | 0.26 |
| 6 | 516228 | Trimmer plate | 4.62 | 4.76 |
| 7 | 516252 | Weir gate assembly, white | 18.28 | 18.83 |
| 7 | 516315 | Weir gate assembly, black | 20.41 | 21.02 |
| 8 | 516264 | Face plate kit, standard throat, white | 73.48 | 75.68 |
| 8 | 516324 | Face plate kit, standard throat, black | 54.30 | 55.93 |
| 9 | 552566 | Gasket, standard throat, 2 req. | 6.13 | 6.31 |
| 10 | 516265 | Face plate kit, widemouth throat, white | 73.20 | 75.40 |
| 10 | 516318 | Face plate widemouth, black | 78.09 | 80.43 |
| 11 | 516231 | Gasket, widemouth throat, 2 req. | 9.52 | 9.81 |
| 12 | 516239 | Screw, No. 12-8 x 1 in. SS, std. face plate | 1.15 | 1.18 |
| 12 | 516345 | Screw, No.12-8 x 1-1/4 in. SS, std. face plate | CALL | CALL |
| 13 | 516241 | Screw, No.12-8 x 1-1/4 in. SS, 4 req. | 4.62 | 4.76 |
| 14 | 516237 | Flange spacer, 3 req. | 4.62 | 4.76 |
| OPTIONS | | | | |
| 15 | 506161 | Vacuum plate assembly | 20.04 | 20.64 |
| 16 | 506160 | Float valve assembly | 52.63 | 54.21 |
| 16 | 195829 | 2 in. O-ring style plug | 7.11 | 7.32 |
| 16 | 192323 | 2 in. O-ring for 195829 plug | 5.39 | 5.55 |
| 16 | 191474 | 1-1/2 in. O-ring for 191368 plug | 0.77 | 0.79 |
| 16 | 506162 | Equalizer valve assembly | 40.48 | 41.69 |
| NOT SHOWN | | | | |
| | 516254 | Lid/collar set, white | 68.51 | 70.57 |
| | 516328 | Lid/collar set, black | 68.51 | 70.57 |
| | 516261 | Lid/collar set, tan | 68.51 | 70.57 |



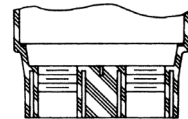
2 in. NPSM Thread



2 in. NPSM Thread
2 in. Slip



1-1/2 in. NPSM Thread



1-1/2 in. NPSM Thread
1-1/2 in. Slip

Product on pages 252–253.

Replacement baskets on page 130.

¹ For skimmers manufactured after 2/1/93.