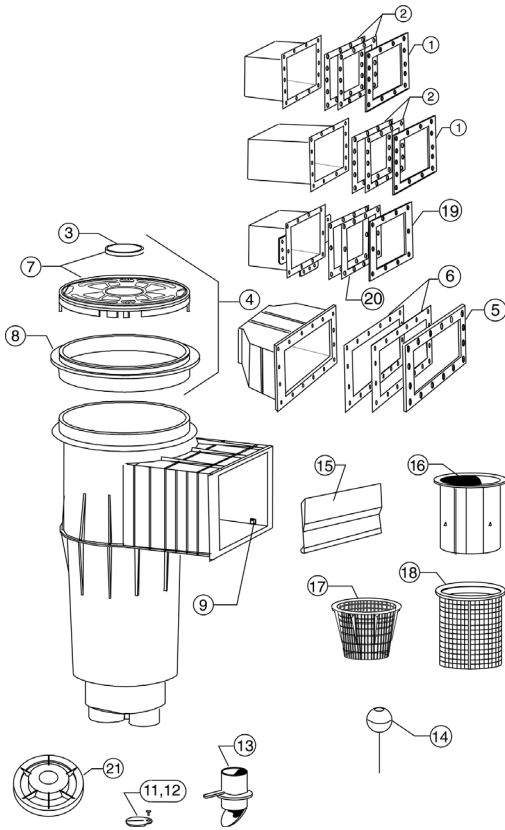


Admiral™ Skimmers

Replacement Parts



Item	Part No.	Description	US List	Can. List
ADMIRAL SKIMMERS				
1	85004200	Frame, sealing liner, white std. 12 hole pattern	17.74	18.27
1	85004211	Frame, sealing liner, black std. 12 hole pattern	17.74	18.27
1	85004213	Frame, sealing liner, grey std. 12 hole pattern	17.74	18.27
2	85001600	Gasket set, liner, std. 12 hole pattern	25.31	26.07
3	510161	Disk, logo	4.30	4.43
4	85000400	Lid/ring seat, complete, white	34.94	35.99
4	85000411	Lid/ring seat, complete, black	33.27	34.27
4	85018000	Lid/ring seat, complete, tan	34.94	35.99
5	85007600	Frame, sealing liner, wide mouth, white	36.85	37.96
6	85007700	Gasket, sealing liner, wide mouth (2), white	33.13	34.12
7	85007400	Lock down lid, white	22.12	22.78
7	85007411	Lock down lid, black	22.34	23.01
7	85007413	Lock down lid, grey	22.12	22.78
7	85007430	Lock down lid, tan	22.34	23.01
8	85000600	Ring seat only, 9 in. diameter, white	13.12	13.51
8	85017900	Ring seat only, 9 in. tan	15.04	15.49
9	85017500	Pivot tab for flap weir	1.03	1.06

Item	Part No.	Description	US List	Can. List
11	85002400	Trimmer valve plate, residential	4.62	4.76
12	98204400	Screw for trimmer plate, 10-24 x 1/2 in.	2.04	2.10
13	85002600	Vari-flo control insert only	10.00	10.30
14	85002000	Ball valve assembly, complete	22.18	22.85
15	85001500	Flap weir	25.31	26.07
16	R38013B	Floating weir, circular	13.81	14.22
17	85014500	Basket, tapered	21.22	21.86
17	85014600	Basket, tapered (S-20 Model Only)	11.46	11.80
18	R38013A	Basket, for floating weir	19.97	20.57
19	85000300	Frame, liner, American 10 hole pattern	42.39	43.66
20	81111800	Gasket set, large 10 hole pattern, w/dbl. wall	13.47	13.87
20	81111700	Gasket set, large 10 hole pattern, w/o dbl. wall	13.47	13.87
21	85015200	Equalizer assembly	39.43	40.61

NOT SHOWN				
	85000700	Square ring seat 10-1/2 in. x 10-1/2 in.	20.04	20.64
	98202600	Screw, sealing ¹	3.39	3.49
	98202700	Screw, sealing ¹	3.43	3.53
	98202900	Screw, sealing ²	1.61	1.66
	98207200	Screw, sealing ²	1.89	1.95
	98203000	Screw ²	1.96	2.02
	85008500	Screw kit, American 10 hole pattern	CALL	CALL
	85008600	Screw kit, American 10 hole pattern, extra long	17.88	18.42
	85008700	Screw kit, std. 12 hole pattern	17.88	18.42
	85008800	Screw kit, std. 12 hole pattern, extra long	17.88	18.42
	85015100	O-ring, skimmer bottom	7.11	7.32
	355330	O-ring, equalizer	1.51	1.56
	85016600	Rubber stopper, flap weir	4.60	4.74
	98213000	Screw, 8-32 x 5/8 in. commercial lid	1.62	1.67
	98208500	Washer, gum commercial lid	1.69	1.74
	85014700	Handle, basket	4.58	4.72
	85007200	Angle bracket	CALL	CALL
	85012800	Track-VF skimmer	CALL	CALL
	85014200	Trimmer, equalizer	CALL	CALL
	85009500	Skimmer Lid (Old Style)	23.60	24.31

¹ Used on skimmers manufactured before 2-1-76.

² Used on skimmers manufactured after 2-1-76.

Product on pages 250–251.

Replacement baskets on page 130.