

Six-way 1-1/2 in. HiFlow™ Valves

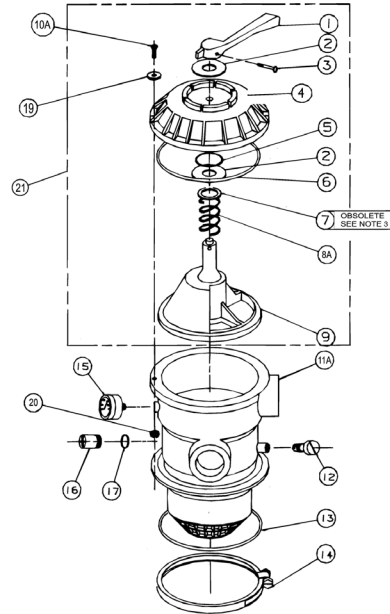
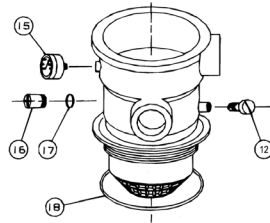
Replacement Parts (PacFab Multiport Valves)



NOTE

- ¹ VALVES MANUFACTURED BEFORE MARCH 1, 1993 DO NOT CONTAIN ITEM 16 SIGHT GLASS OR ITEM 17 SIGHT GLASS GASKET.
- ² CLAMP STYLE VALVES MANUFACTURED BEFORE MARCH 1, 1993 CONTAIN A DIFFERENT AIR BLEEDER WITH O-RING P/N 272515. THIS PART IS NOT INTERCHANGEABLE WITH P/N 273512. THREADED VALVES MANUFACTURED BEFORE MARCH 1, 1993 DO NOT CONTAIN AN AIR BLEEDER WITH O-RING.
- ³ ITEM 8A USED ON VALVES MANUFACTURED AFTER MAY 1, 1992 AND REPLACES BOTH ITEMS 7 AND 8.
- ⁴ ITEMS 10A, 19 AND 20 ARE USED ON VALVES MANUFACTURED AFTER APRIL 15, 1994 AND REPLACE ITEM 10.

For (261130) 6 in. Buttress Style Valve For TA Filters



For (262504) (262505)(262506) Clamp Style Valve For TA-D Filters

Item No.	Part No.	Description	US List	Can. List
6-WAY HIFLOW MULTIPORT VALVES				
1	272520	Handle	20.93	21.56
2	272505	Washer plastic, 2 req.	2.35	2.42
3	272405	Screw - handle	1.38	1.42
4	272599	Six-way valve label	4.88	5.03
5	272511	O-ring - diverter shaft	1.33	1.37
6	354053	O-ring - valve top	23.19	23.89
7	272401	Washer - s/s ³	2.00	2.06
8	272400	Spring - comp. 100 lb. 1-13/16 o.d. ³	7.86	8.10
8A	272535	Spring - comp. 100 lb. 1-3/8 o.d. ³	4.18	4.31
9	272512	Diverter w/gasket	44.89	46.24
10A	354541	Screw #10-24 hex pan head, 6 req. ⁴	1.83	1.88
11A	272530	Valve body w/diffuser - clamp style	109.99	113.29
12	273512	Air bleeder with O ring ²	9.75	10.04
13	272541	O-ring - 3/16 in. x 4-5/8 in. i.d.	6.82	7.02
14	152165	Clamp	20.93	21.56
15	190059	Pressure gauge	36.74	37.84
16	272550	Sight glass w/vacuum projector ¹	11.12	11.45
17	271106	Gasket - sight glass ¹	2.49	2.56
18	154493	O-ring	4.54	4.68
19	272555	Washer - 9/16 s/s, 6 req. ⁴	1.38	1.42
20	272554	Nut - #10-24 serrated flange s/s, 6 req. ⁴	1.68	1.73
21	272531	HiFlow 1-1/2 in. top valve assy.	137.46	141.58