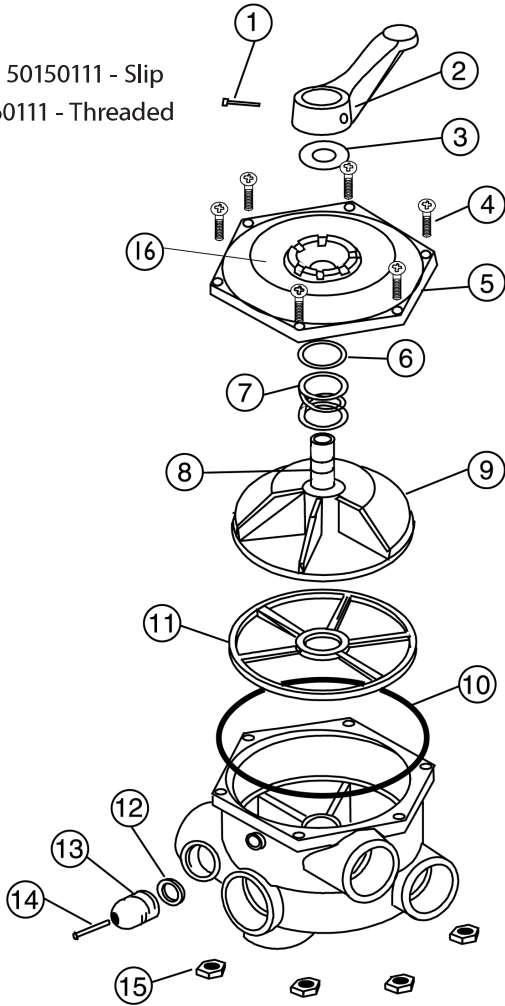


Side Mount Multiport Valves, 1-1/2 in.

Replacement Parts for American Valves



P/N 50150111 - Slip
50160111 - Threaded



Item	Part No.	Description	US List	Can. List
MULTIPORT VALVES - SIDE MOUNT, 1-1/2 IN.				
1	98201900	Screw, handle 10-24 x 1-1/4 in.	1.83	1.88
2	51002700	Handle	22.67	23.35
3	51008800	Washer	5.96	6.14
4	98209000	Screw, pan head, 1/4-20 x 1-1/2 in., 6 req.	1.75	1.80
5	51000511	Lid, multiport valve w/ label 1-1/2 in. ¹	48.89	50.36
6	51021600	Thrust washer	5.91	6.09
7	51000700	Spring	10.21	10.52
8	JV18	O-ring, shaft, 2 req.	0.96	0.99
9	51001100	Rotor	39.59	40.78
10	51001000	Quad ring, lid	14.18	14.61
11	51008400	Spider Gasket ²	21.50	22.15
12	51001800	Gaskets, sight glass sets	9.75	10.04
13	51001600	Site Glass	7.98	8.22
14	98205000	Screw, sight glass 8-32 x 1-3/4 in.	1.38	1.42
15	98211400	Nut, 1/4-20, 6 req.	2.18	2.25
16	98700300	Label - Multiport Valve	CALL	CALL
	51000111	Top assy. w/ lid, handle, rotor, 1-1/2 in.	156.08	160.76
	51001911	Plug, 1-1/2 in. thrd.	5.96	6.14
	51002011	Plug, 1-1/2 in. ABS slip	CALL	CALL

¹ For valves manufactured after 2-75.

² For valves manufactured after 4-1-76.