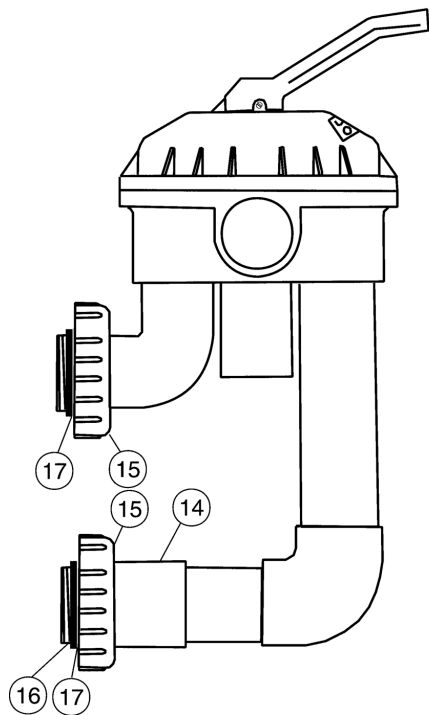
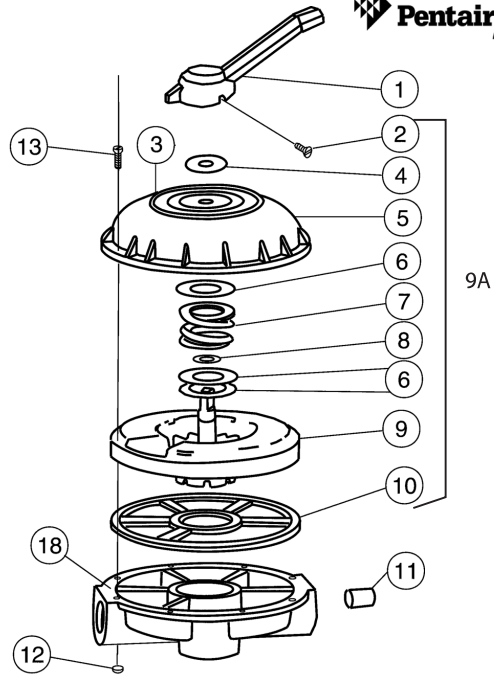


2 in. HiFlow™ Valves

Replacement Parts for Valves



Valves
261049
261050
261142



Item	Part No.	Description	US list	Can. List
2 IN. HIFLOW VALVES				
1	272520	Handle	20.93	21.56
2	272405	Screw - Handle	1.38	1.42
3	272101	Label - Sand (261050)	CALL	CALL
3	272120	Label - D.E. (261142)	CALL	CALL
3	272123	Label - Universal (261049)	CALL	CALL
4	272402	Washer - Plastic	2.40	2.47
5	272412	Valve Top	47.46	48.88
6	272401	Washer - 1/32 in., 3 req.	2.00	2.06
7	272400	Spring - Compression	7.86	8.10
8	JV18	O-ring Kit Bag	0.96	0.99
9	272413	Diverter	71.41	73.55
9A	272422	Valve top assy. ¹	179.96	185.36
10	272409	Seal - Diverter	32.67	33.65
11	154566	Sight Glass 2 in. clear	12.79	13.17
12	98211400	Nut 1/4 in.- 20 Hex, 8 req.	2.18	2.25
13	272403	Screw 1/4 in.- 20, 8 req.	1.47	1.51
14	274400	Coupling - 2 in. PVC	6.41	6.60
15	274407	Nut - Bulkhead adapter, 2 req.	14.48	14.91
16	274404	Adapter - Bulkhead	20.93	21.56
17	274494	O-ring - Bulkhead adapter, 2 req.	4.14	4.26
18	272433	Valve btm. 2 in. w/gasket ²	111.68	115.03

¹ This part number includes items 1 thru 9.

² 272433 valve btm. 2 in. w/ gasket contains one each of: 272409 seal diverter and 272415 Plate 2 in. valve btm.