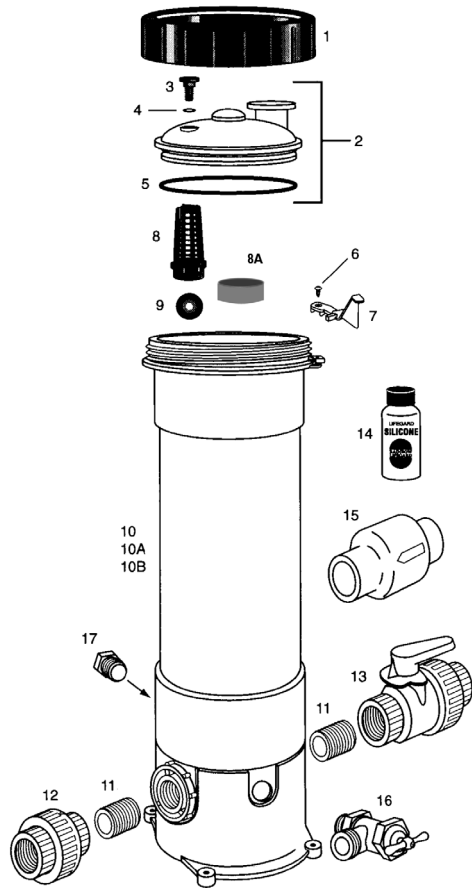


# High Capacity Automatic Feeders Models HC-3315, HC-3330, HC-3340

## Replacement Parts



Item	Qty.	Part No.	Description	US List	Can. List
Order No.: R171215, R171230, R171240					
Model No.: HC-3315, HC-3330, HC-3340					
Description: HIGH CAPACITY AUTOMATIC FEEDER					
1	1	R172214	Lock ring	15.00	15.45
2	1	R172385D	Lid assembly complete	26.44	27.23
3	1	R172224X	Vent valve	5.03	5.18
4	1	R172221	O-ring vent valve	1.28	1.32
5	1	R172240	O-ring lid to housing	15.63	16.10
6	1	R172375	Lock screw	1.28	1.32
7	1	R172374	Lock spring	5.03	5.18
8	1	R175251	Screen	4.95	5.10
8A	1	R171919	Check Valve Seat	CALL	CALL
9	1	R172435	Check ball	1.28	1.32
11	2	R270484	1 in. Close nipple	5.03	5.18
12	1	R270531	1 in. Threaded union	15.33	15.79
13	1	R172439	Control valve	70.86	72.99
14	1	R172036	Silicone lubricant, 3/4 oz.	8.55	8.81
15	Opt.	R172288	1-1/2 in.--2 in. Check valve	31.71	32.66
16	1	R175009	Hose Bib w/t Handle 1/2 in.	15.08	15.53
17	1	R172134	1/2 in. threaded plug	5.54	5.71
<b>NOT SHOWN</b>					
		R172082	Flow rate indicator	152.69	157.27