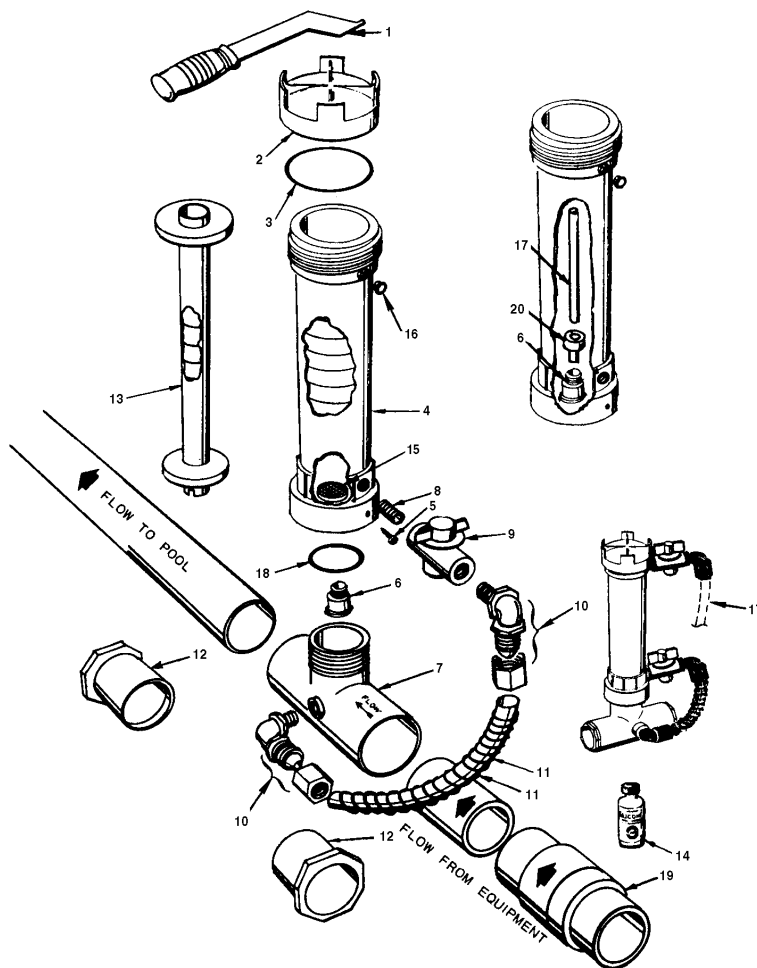


Automatic Feeder - Model 320

Replacement Parts



Item	Qty.	Part No.	Description	US List	Can. List
Order No.: R171096					
Model No.: 320					
Description: IN-LINE AUTOMATIC FEEDER					
1	Opt.	R172052	Cap wrench	24.25	24.98
2	1	R172008W	3 in. threaded cap - white	15.71	16.18
3	1	R172009	O-ring, cap	5.92	6.10
4	1	R172321	#320 Body only (new style)	43.48	44.78
5	1	R01052	Lock screw	1.28	1.32
6	1	R172248	Check valve	8.79	9.05
7	1	R172317	Diverter tee 1-1/2 NPT x 2 in. slip	23.42	24.12
8	1	R172256	1/2 in. x Short MPT nipple	5.03	5.18
9	1	R172086	1/2 in. Control valve	45.35	46.71
10	2	R172272	1/2 in. NPT x tube 90° ELL w/nut	6.47	6.66
10	Opt.	R172274	Compression nut only (for R172272)	2.37	2.44

Item	Qty.	Part No.	Description	US List	Can. List
11	1	R172091	5/8 in. o.d. Short feeder tube	4.87	5.02
11	Opt.	R171097	Tube support spring	5.03	5.18
12	2	R1722101	2 in. x 1-1/2 in. S x S bushing for 1-1/2 in. PVC only ¹	CALL	CALL
13	Opt.	R172037	Spa chamber	14.01	14.43
14	1	R172036	Silicone lubricant, 3/4 oz.	8.55	8.81
15	1	R172255	Screen	5.03	5.18
16	1	R172134	1/2 in. NPT PVC plug	5.54	5.71
17	1	R172253	5/8 in. o.d. 18 in. tube (optional top feed)	4.87	5.02
18	1	R172319	Bottom O-ring	1.28	1.32
19	Opt.	R172288	1-1/2 in. Corrosion resistant check valve	31.71	32.66
20	1	R172048B	Standpipe adapter, Bromine	1.28	1.32

¹ Not used with 2 in. PVC.