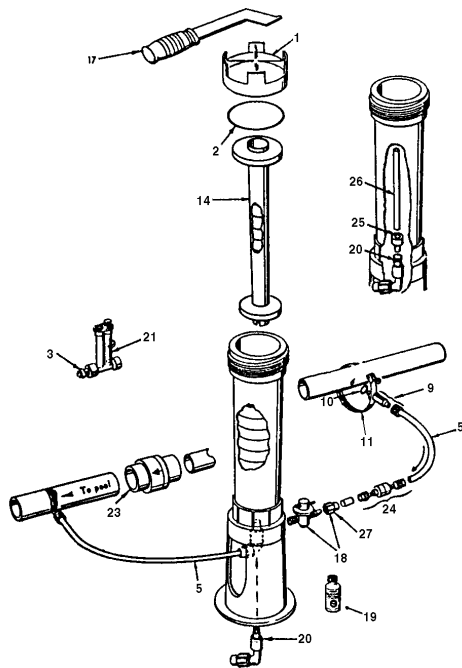


# Automatic Feeder - Model 300, 302, 300-19, 300-29

## Replacement Parts



Item	Qty.	Part No.	Description	US List	Can. List
Order No.:		R171016		R171026	
Model No.:		300		302	
Description:		AUTOMATIC FEEDER		SPA HOT TUB FEEDER	
1	1	R172008W	3 in. threaded cap, white	15.71	16.18
2	1	R172009	O-ring, cap	5.92	6.10
3	Opt.	R172020	Check valve Old Style	4.04	4.16
5	1	R172023	3/8 in. o.d. x 1/4 in. i.d. tubing, 8 ft.	7.53	7.76
9	2	R172032	Tube fitting with compression nut	5.03	5.18
10	2	R172033	Gasket	1.88	1.94
11	2	R172034	Saddle clamp	5.03	5.18
14	1	R172037	Spa chamber #302 only	14.01	14.43
17	Opt.	R172052	Cap wrench	24.25	24.98
18	1	R172060	Control valve 1/4 in. NPT x tube with compression nut	20.87	21.50
19	1	R172036	Silicone lubricant, 3/4 oz.	8.55	8.81
20	1	R172061	Combination check valve / elbow	5.14	5.29
21	Opt.	R172080	Flow indicator w/check valve	25.97	26.75
23	Opt.	R172288	1-1/2 in.-2 in. Corrosion resistant check valve	31.71	32.66
24	Opt.	R172323	1/4 in. Corrosion resistant check valve	14.89	15.34
25		R172061B	Standpipe adapter, Bromine	5.03	5.18
26		R18761	6 in. Standpipe 3/8 in. o.d. x 1/4 in. i.d.	0.89	0.92
27	1	R18706	Compression nut only	1.28	1.32
Order No.: R172064					
Parts bag for 300, 302, 300-19 & 300-29					
9	2	R172032	Tube fitting with compression nut	5.03	5.18
10	2	R172033	Gasket	1.88	1.94
11	2	R172034	Saddle clamp	5.03	5.18
18	1	R172060	Control valve 1/4 in. NPT x tube with compression nut	20.87	21.50
19	1	R172036	Silicone lubricant	8.55	8.81
20	1	R172061	Combination check valve / elbow	5.14	5.29