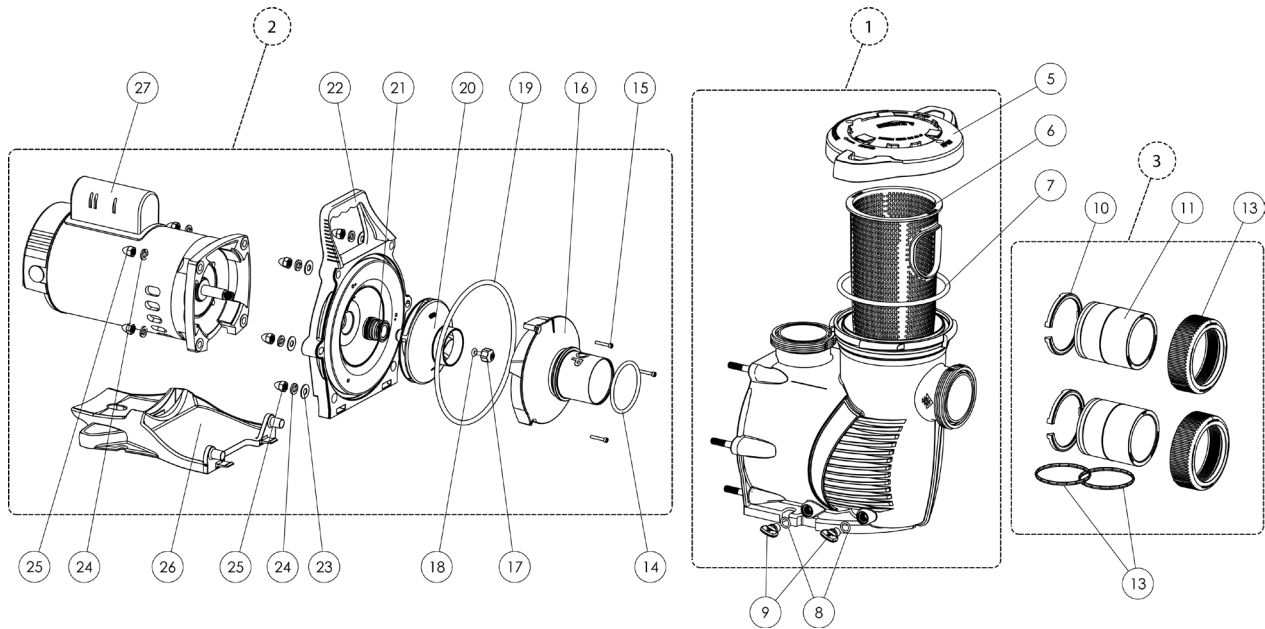


WhisperFloXF™ Pump

Replacement Parts for Swimming Pool Pumps



Item	Part No.	Description	US List	Can. List
WHISPERFLO XF PUMP				
1	400000	Wet End Assembly	268.75	276.81
2	See chart on page 461	Power End Assembly	CALL	CALL
3	410020	Union Kit Without Tap	122.43	126.10
5	400006	Lid/Locking Ring Assembly	47.30	48.72
6	400007Z	XF Series Replacement Basket	29.56	30.45
7	35505-1440	Lid/Locking Ring O-Ring	15.86	16.34
8	192115	Drain Plug O-Ring	1.08	1.11
9	071131	Drain Plug	5.26	5.42
10	410001	2.5" C-Clip Locking Ring	5.98	6.16
11	410002	2.5" Union Adapter without Tap	28.37	29.22
12	411000	2.5" Union Nut	16.43	16.92
13	410006Z	2.5" Diamond Seal Kit - (Includes two)	10.45	10.76
14	350336	Diffuser O-Ring	2.81	2.89
15	353323	Diffuser Screw	2.81	2.89
16	See chart on page 461.	Diffuser	CALL	CALL
17	37337-6080	Impeller Reverse Screw	16.45	16.94
18	33455-1047	Impeller Reverse Screw O-Ring	5.91	6.09
19	351446	Seal Plate O-Ring	5.34	5.50

Item	Part No.	Description	US List	Can. List
20	See chart on page 461	Impeller Assembly	CALL	CALL
21	37400-0028S	Mechanical Seal Assembly	33.13	34.12
22	400002	Seal Plate	177.61	182.94
22	400031Z	Seal Plate Kit With Mech Seal	172.00	177.16
23	072184	Flat Washer	1.33	1.37
24	U43-125S	Split Lock Washer	2.33	2.40
25	071413	Acorn Nut	1.04	1.07
26	400004Z	Motor Base	CALL	CALL
27	See chart on page 461	Motors	CALL	CALL
NOT SHOWN				
	400030Z	Hardware and Orings Kit	53.75	55.36
	400012	Riser Plate XF to Challenger	56.74	CALL

WhisperFloXF™ Pump (Cont'd)

Replacement Parts



Item	Part No.	Description	US List	Can. List
IMPELLERS				
20	400020	XF-8	CALL	CALL
20	400015	XF-12	108.24	111.49
20	400020	XFE-8	CALL	CALL
20	400015	XFE-12	108.24	111.49
20	400023	XFE-20	CALL	CALL
20	400020	XFDS-8	CALL	CALL
20	400015	XFDS-12	108.24	111.49
20	400020	XFDS-30	CALL	CALL
20	400020	XF-30	CALL	CALL
20	400020	XFE-30	CALL	CALL
20	400020	XFJ-8	CALL	CALL
20	400015	XFJ-12	108.24	111.49
20	400023	XFJ-20	CALL	CALL
20	400020	XFK-8	CALL	CALL
20	400015	XFK-12	108.24	111.49
20	400023	XFK-20	CALL	CALL
MOTORS				
27	355026S	2hp Standard E 230V	541.07	557.30
27	355033S	3hp Standard E 230V	707.22	728.44
27	355014S	2hp High Eff 208-230V	CALL	CALL
27	355016S	3hp High Eff 208-230V	736.67	758.77
27	353317S	5hp High Eff 208-230V	CALL	CALL
27	359526S	2hp 2 Speed 230V	CALL	CALL
27	353316S	3hp 2 Speed 230V	CALL	CALL
27	359526S	2.5hp Uprated 2 Speed 230V	CALL	CALL
27	355026S	2.5hp Uprated Standard E 230V	541.07	557.30
27	355014S	2.5hp Uprated High E 208-230V	CALL	CALL
27	356628S	2hp 3 Phase High E 208-230-460V	516.98	532.49
27	356629S	3hp 3 Phase High E 208-230-460V	625.81	644.58
27	353051S	5hp 3 Phase High E 208-230-460V	CALL	CALL
27	354809S	2hp 3 Phase TEFC 208-230-460V	CALL	CALL
27	354811S	3hp 3 Phase TEFC 208-230-460V	CALL	CALL
27	354813S	5hp 3 Phase TEFC 208-230-460V	CALL	CALL

Item	Part No.	Description	US List	Can. List
DIFFUSERS				
16	400010	XF-8	77.73	80.06
16	400010	XF-12	77.73	80.06
16	400010	XFE-8	77.73	80.06
16	400010	XFE-12	77.73	80.06
16	400011	XFE-20	CALL	CALL
16	400010	XFDS-8	77.73	80.06
16	400010	XFDS-12	77.73	80.06
16	400010	XFDS-30	77.73	80.06
16	400010	XF-30	77.73	80.06
16	400010	XFE-30	77.73	80.06
16	400010	XFJ-8	77.73	80.06
16	400010	XFJ-12	77.73	80.06
16	400011	XFJ-20	CALL	CALL
16	400010	XFK-8	77.73	80.06
16	400010	XFK-12	77.73	80.06
16	400011	XFK-20	CALL	CALL
POWER ENDS				
2	400612Z	2hp Standard E 230V	CALL	CALL
2	400613Z	3hp Standard E 230V	1609.51	1657.80
2	400609Z	2hp High Eff 208-230V	CALL	CALL
2	400610Z	3hp High Eff 208-230V	1669.24	1719.32
2	400611Z	5hp High Eff 208-230V	CALL	CALL
2	400607Z	2hp 2 Speed 230V	CALL	CALL
2	400608Z	3hp 2 Speed 230V	CALL	CALL
2	400607Z	2.5hp Uprated 2 Speed 230V	CALL	CALL
2	400612Z	2.5hp Uprated Standard E 230V	CALL	CALL
2	400609Z	2.5hp Uprated High E 208-230V	CALL	CALL
2	400629Z	2hp 3 Phase High E 208-230-460V	CALL	CALL
2	400630Z	3hp 3 Phase High E 208-230-460V	CALL	CALL
2	400631Z	5hp 3 Phase High E 208-230-460V	CALL	CALL
2	400617Z	2hp 3 Phase TEFC 208-230-460V	CALL	CALL
2	400618Z	3hp 3 Phase TEFC 208-230-460V	CALL	CALL
2	400619Z	5hp 3 Phase TEFC 208-230-460V	CALL	CALL