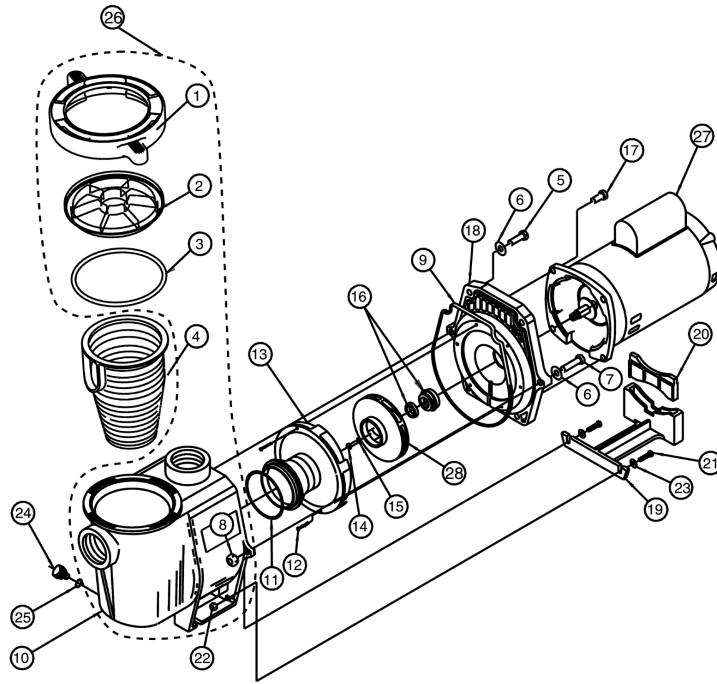
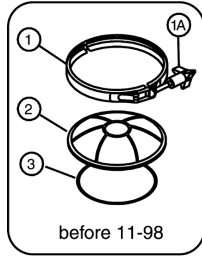


# WhisperFlo® Pump

## Replacement Parts for Swimming Pool Pumps



Item	Part No.	Description	US List	Can. List
<b>WHISPERFLO PUMPS</b>				
1	070711	Clamp band assembly, SS, WF/AQ <sup>5</sup> (old style)	75.52	77.79
1	357150	Clamp, Cam & Ramp™, plastic, black, WF <sup>7</sup>	40.80	42.02
1	357199	Clamp, Cam & Ramp, plastic, almond, WF <sup>8</sup>	40.80	42.02
1A	071136Z	Knob, only <sup>5</sup>	19.72	20.31
2	070795	Cover, clear, AQ/WFE pump <sup>5</sup> (old style)	42.71	43.99
2	357151	Cover, clear, WFE pump <sup>6</sup>	30.71	31.63
2	357156	Cover, chemical resistant Cam & Ramp	57.90	59.64
3	071422	O-ring, AQ/WFE cover <sup>5</sup>	5.91	6.09
3	350013	O-ring, WFE cover <sup>6</sup>	2.63	2.71
4	070387	Basket	16.44	16.93
5	070430	Bolt, 3/8, 16 x 1-1/4 hex hd. SS, 4 req.	2.14	2.20
6	072184	Washer, 3/8 x 13/16 o.d. SS, 6 req.	1.33	1.37
7	070431	Bolt, 3/8, 16 x 1-3/4 hex hd. SS, 2 req.	2.35	2.42
8	071403	Nut, 3/8, 16 hex hd., 2 req.	1.33	1.37
9	071445	O-ring parker No.2-265, WFE pump <sup>1,4</sup>	14.75	15.19
9	357100	Black Gasket for Seal Plate <sup>14</sup>	4.95	5.10
9	357102	Almond Gasket for Seal Plate <sup>15</sup>	5.34	5.50
10	357149	Volute & Sealplate, Almond Replacement Kit <sup>6</sup>	256.87	264.58
10	350015	Volute, almond	195.23	201.09
10	357157	Volute, black	195.23	201.09
11	355227	O-ring parker No.2-238, WFE pump	2.80	2.88
12	071660	Set screw, 4-40 x 1-1/8 WFE, 2 req.	2.80	2.88
13	072928	Diffuser assembly, WFE-12, 3 HP only	77.73	80.06
13	072927	Diffuser assembly, WFE-2-8, 1/2 HP - 2-1/2 HP	65.03	66.98
14	071652	Set screw, 1/4, 20 x 1 lh. phillips	2.23	2.30

15	075713	Rubber washer, WFE pump	1.33	1.37
16	0717345	Seal PA-7 w/ceramic seat, PS1000	25.93	26.71
17	070429	Bolt, 3/8, 16 x 7/8 SS hex hd., 4 req.	2.35	2.42
18	350202	Seal Plate Kit, Almond with Gasket (Includes Mechanical Seal Installed and Seal Plate Gasket) Items 9, 16 & 18	172.24	177.41
18	350201	Seal Plate Kit WFE Almond (Includes Mechanical Seal installed) Items 16 & 18	175.70	180.97
18	350101	Seal Plate Kit WFE Black (Includes Mechanical Seal installed) Items 16 & 18	CALL	CALL
19	070927	Foot, WFE-4 pump, almond	32.81	33.79
19	357159	Foot, black <sup>9</sup>	32.81	33.79
20	070929	Foot insert, WFE pump, almond	16.44	16.93
20	357160	Foot insert, WFE pump, black <sup>9</sup>	16.44	16.93
21	071657	Screw, 1/4, 20 x 1 in. hh. SS, 2 req.	1.33	1.37
22	071406	Nut, 1/4, 20 hex. hd. SS, 2 req.	1.33	1.37
23	072183	Washer, flat 1/4 x 5/8, 2 req.	1.33	1.37
24	071131	Knob plug drain, 2 req. almond	5.26	5.42
24	357161	Knob plug drain, 2 req., black <sup>9</sup>	3.43	3.53
25	192115	O-Ring drain plug, 2 req.	1.08	1.11
26	357149	Almond Volute/Seal plate replacement kit <sup>6</sup>	256.87	264.58
<b>MOTORS</b>				
27	0713135	3/4 HP, 60 Hz, WFE-2, 3 & 24, 2 1 sp, almond 9 lbs. <sup>3</sup>	308.36	317.61
27	0713145	1 HP, 60 Hz, WFE-4 & 26, 1 sp, almond, 33 lbs. <sup>3</sup>	334.84	344.89
27	0713155	1-1/2 HP, 60 Hz, WFE-6 & 28, 1 sp, almond 39 lbs. <sup>3</sup>	394.42	406.25
27	0713165	2 HP, 60 Hz, WFE-8 & 30, 1 sp, almond 40 lbs. <sup>3</sup>	469.93	484.03

# WhisperFlo® Pump (Cont'd)

## Replacement Parts



Item	Part No.	Description	US List	Can. List
<b>MOTORS</b>				
27	071317S	3 HP, 60 Hz, WFE-12, 1 sp, almond 40 lbs. <sup>3</sup>	614.07	632.49
27	356630S	1 HP, 2 sp., WFDS-4 & 26, 34 lbs. <sup>11</sup>	431.88	444.84
27	071320S	1-1/2 HP, 2 sp., WFDS-6 & 28, 36 lbs. <sup>11</sup>	522.90	538.59
27	071321S	2 HP, 2 sp., WFDS-8 & 30, 45 lbs. <sup>11</sup>	653.68	673.29
27	075232S	1/2 HP, WF-2, 23, 1 sp, almond, 39 lbs. <sup>10</sup>	254.50	262.14
27	075233S	3/4 HP, WF-3, 24, 1 sp, almond, 26 lbs. <sup>10</sup>	288.64	297.30
27	075234S	1 HP, WF-4, 26, 1 sp, almond, 28 lbs. <sup>10</sup>	320.88	330.51
27	075235S	1-1/2 HP, WF-6, 28, 39 lbs. <sup>10</sup>	397.58	409.51
27	075236S	2 HP, WF-8, 30, 32 lbs. <sup>10</sup>	469.60	483.69
27	075237S	3 HP, 1 sp, WF-12, 1 sp, almond, 40 lbs. <sup>10</sup>	611.01	629.34
27	355203S	WFK-4 motor, 28 lbs., 3 ph, 1 sp, black	372.69	383.87
27	355204S	WFK-6 motor, 30 lbs., 3 ph, 1 sp, black	464.89	478.84
27	355205S	WFK-8 motor, 37 lbs., 3 ph, 1 sp, black	516.98	532.49
27	355398S	WFK-12 motor, 35 lbs., 3 ph, 1 sp, black	625.81	644.58
27	356626S	1 HP, 3 ph, 1 sp, sq. flg. almond	372.69	383.87
27	356627S	1.5 HP, 3 ph, 1 sp, sq. flg. almond	463.40	477.30
27	356628S	2 HP, 3 ph, 1 sp, sq. flg. almond	516.98	532.49
27	356629S	3 HP, 3 ph, 1 sp, sq. flg. almond	625.81	644.58
27	356630S	1 HP, 1.5A, 2 spd., 1 ph, 1 sp, sq. flg., almond	431.88	444.84
<b>IMPELLERS</b>				
28	073126	Impeller (WF-2, WF-23, WFE-2, WFK-2)	85.38	87.94
28	073127	Impeller (WFE-3, WFE-24, WF-3, WF-24, WFK-3, WFDS-3, WFDS-24)	85.38	87.94
28	073128	Impeller (WFE-4, WFE-26, WF-4, WF-26, WFK-4, WFDS-4, WFDS-26)	85.38	87.94
28	073129	Impeller (WF-6, WF-28, WFE-6, WFE-28, WFK-6, WFDS-6, WFDS-28)	85.38	87.94
28	073130	Impeller (WF-8, WF-30, WFE-8, WFE- 30, WFK-8, WFDS-8, WFDS-30)	85.38	87.94
28	073131	Impeller (WFE-12, WF-12)	85.38	87.94
<b>POWER END SUBASSY. INCLUDES ITEMS No. 12 THRU 18, 27, 28</b>				
	075251	WF-2, WF-23	790.71	814.43
	075145	WFDS-3, WFDS-24	1069.19	1101.27
	075136	WFE-2	839.03	864.20
	075137	WFE-3, WFE-24 <sup>3</sup>	847.57	873.00
	075138	WFE-4, WFE-26 <sup>3</sup>	902.30	929.37
	075139	WFE-6, WFE-28 <sup>3</sup>	1057.15	1088.86
	075140	WFE-8, WFE-30 <sup>3</sup>	1215.74	1252.21
	075141	WFE-12 <sup>3</sup>	1509.10	1554.37
	075142	WFDS-4, WFDS-26 <sup>11</sup>	1114.79	1148.23
	075143	WFDS-6, WFDS-28 <sup>11</sup>	1302.53	1341.61
	075144	WFDS-8, WFDS-30 <sup>11</sup>	1584.66	1632.20
	075252	WF-3, WF-24 <sup>10</sup>	830.25	855.16
	075253	WF-4, WF-26 <sup>10</sup>	876.92	903.23
	075254	WF-6, WF-28 <sup>10</sup>	1040.61	1071.83
	075255	WF-8, WF-30 <sup>10</sup>	1195.98	1231.86
	075256	WF-12 <sup>10</sup>	1498.98	1543.95

Item	Part No.	Description	US List	Can. List
<b>FLUID ENDS-ALL PARTS, W/O MOTOR</b>				
	075452	WFE-3 fluid end, 3/4 HP	661.41	681.25
	075453	WFE-4 fluid end, 1 HP	648.96	668.43
	075454	WFE-6 fluid end, 1-1/2 HP	655.04	674.69
	075455	WFE-8 fluid end, 2 HP	649.38	668.86
	075456	WFE-12 fluid end, 3 HP	647.23	666.65
<b>NOT SHOWN</b>				
	79129900	2-Speed Toggle Switch	41.74	42.99
	350202	Seal Plate Kit: Seal plate (almond), Gasket (black), with installed Seal (Includes items 9, 16, & 18)	172.24	177.41
	350203	Seal Plate Kit: Seal plate (black), Gasket (black), with installed Seal (Includes items 9, 16, & 18)	172.24	177.41
	357243	Pot Assembly, Almond NPT. (Includes items 1-4, 10, 24 (qty. 2), 25 (qty. 2))	408.51	420.77
	357244	Pot Assembly, Black NPT. (Includes items 1-4, 10, 24 (qty. 2), 25 (qty. 2))	408.51	420.77

- <sup>1</sup> Used on pumps manufactured before 6-94.
- <sup>2</sup> Used on pumps manufactured after 6-94.
- <sup>3</sup> Energy efficient single phase.
- <sup>4</sup> Pumps manufactured before 11-98 require a volute replacement kit (357149) when replacing items No.9-gasket, No.10-volute, or No.18-seal plate. This kit will update the pump to the new configuration using the "Cam and Ramp" lid design.
- <sup>5</sup> Used on pumps manufactured before 11-98.
- <sup>6</sup> Used on pumps manufactured after 11-98. Includes items 1-4, 9, 10, 16, 18, 24, 25.
- <sup>7</sup> Used on pumps manufactured between 11-98 thru 12-17-99.
- <sup>8</sup> Used on pumps manufactured after 12-17-99.
- <sup>9</sup> CSA/CUL (only) for Canada.
- <sup>10</sup> Standard efficiency, single phase.
- <sup>11</sup> Two Speed, single phase.
- <sup>12</sup> Includes items 16 & 18.