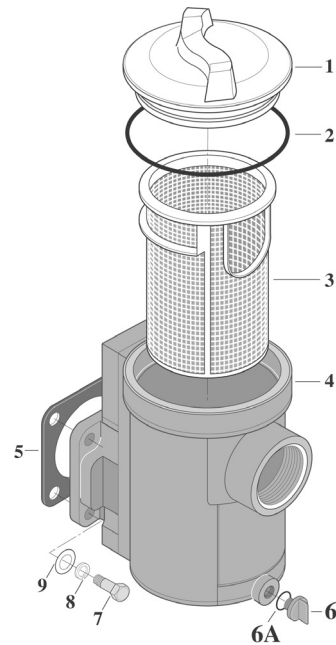


Plastic Suction Trap Assembly

Package No 161 - 6 in. Replacement Parts



Item	Part No.	Description	US List	Can. List
PKG. 181 6-IN. TRAP REPLACEMENT PARTS				
1	16920-0011	Lid	CALL	CALL
2	16920-0012	O-Ring	17.37	17.89
3	16920-0017	Strainer Basket	25.11	25.86
4	C253-58P	Trap and Adapter Assembly	251.45	258.99
5	C20-123	Gasket	7.66	7.89
6	U178-920P	Drain Plug, 1/4 in. NPT	2.84	2.93
6A	U9-359	O-Ring	CALL	CALL
7	U30-64SS	Capscrew, 5/16-18 x 1-1/4 in.	3.44	3.54
8	U43-11SS	Lockwasher, 5/16 in.	1.92	1.98
9	U43-41SS	Washer, 5/16 in. Flat	1.75	1.80
NOT SHOWN				
	C2-82P	Adapter Bracket	CALL	CALL
	U9-285	Adapter O-Ring	3.73	3.84



Package No 115 - 5 in. Replacement Parts

Item	Part No.	Description	US List	Can. List
PKG. 115 5-IN. TRAP REPLACEMENT PARTS				
1	C3-139P1	Cover	49.32	50.80
1A	C3-139P3	Cover (Biguanide Resistant)	CALL	CALL
2	U9-229	O-Ring, Cover	11.51	11.86
3	C108-33P	Strainer Basket *	10.90	11.23
4	C153-53P1	Trap Body	95.02	97.87
5	C20-123	Gasket	7.66	7.89
6	U178-920P	Pipe Plug, 1/4 in. NPT	2.84	2.93
6A	U9-359	O-Ring	CALL	CALL
7	U30-64SS	Capscrew, 5/16 - 18 x 1-1/4 in.	3.44	3.54
8	U43-11SS	Lockwasher	1.92	1.98
9	U43-41SS	Washer, Flat	1.75	1.80
NOT SHOWN				
	17304-0161	Fine Mesh Bag	18.52	19.08
	PKG115	Complete Suction Trap Assembly	CALL	CALL

