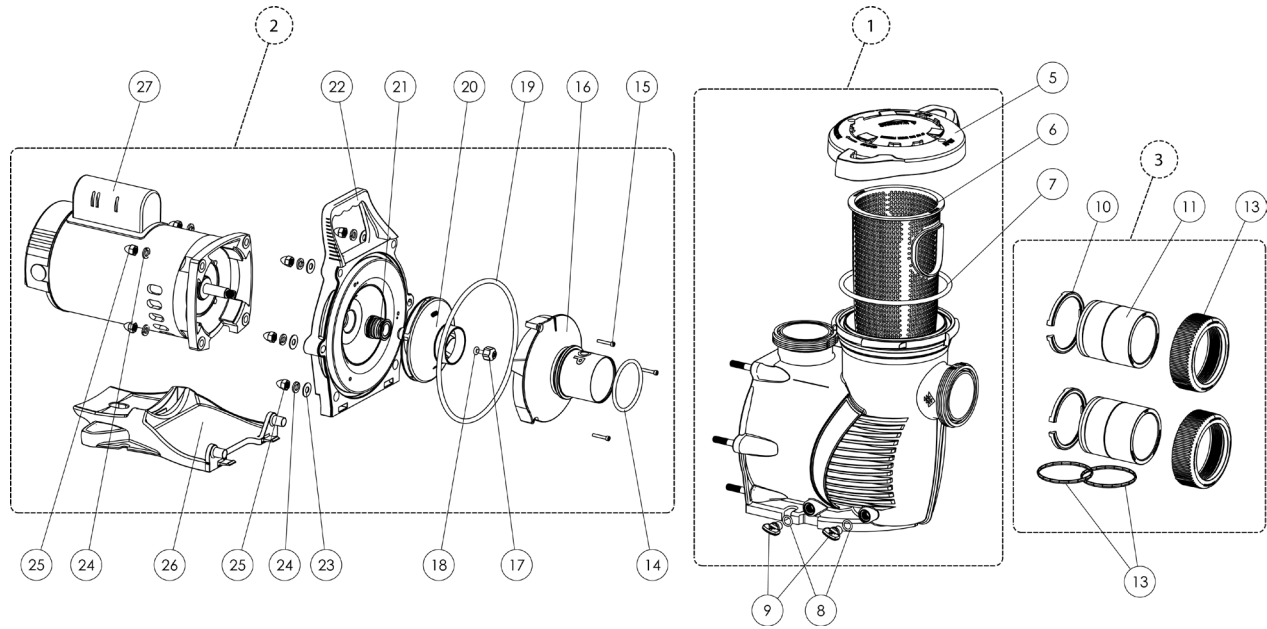


Max-E-Pro XF™ Series Replacement Parts



Item	Part No.	Description	US List	Can. List
MAX-E-PRO XF PUMP				
1	401000	Wet End Assembly	268.75	276.81
2	See chart on page 473	Power End Assembly	CALL	CALL
3	410020	Union Kit Without Tap	122.43	126.10
5	401006	Lid/Locking Ring Assembly	47.30	CALL
6	400007Z	XF Series Replacement Basket	29.56	30.45
7	35505-1440	Lid/Locking Ring O-Ring	15.86	16.34
8	192115	Drain Plug O-Ring	1.08	1.11
9	357161	Drain Plug	3.43	3.53
10	410001	2.5" C-Clip Locking Ring	5.98	6.16
11	410002	2.5" Union Adapter without Tap	28.37	29.22
12	411000	2.5" Union Nut	16.43	16.92
13	410006Z	2.5" Diamond Seal Kit - (Includes two)	10.45	10.76
14	350336	Diffuser O-Ring	2.81	2.89
15	353323	Diffuser Screw	2.81	2.89
16	See chart on page 473	Diffuser	CALL	CALL
17	37337-6080	Impeller Reverse Screw	16.45	16.94
18	33455-1047	Impeller Reverse Screw O-Ring	5.91	6.09
19	351446	Seal Plate O-Ring	5.34	5.50

Item	Part No.	Description	US List	Can. List
20	See chart on page 473	Impeller Assembly	CALL	CALL
21	37400-00285	Mechanical Seal Assembly	33.13	34.12
22	401002	Seal Plate	177.61	182.94
22	400032Z	Seal Plate Kit With Mech Seal	172.00	177.16
23	072184	Flat Washer	1.33	1.37
24	U43-12SS	Split Lock Washer	2.33	2.40
25	071413	Acorn Nut	1.04	1.07
26	401004Z	Motor Base	CALL	CALL
27	See chart on page 473	Motor	CALL	CALL
NOT SHOWN				
	400030Z	Hardware and O-Rings Kit	53.75	55.36
	400012	Riser Plate XF to Challenger	56.74	CALL

Max-E-Pro XF™ Series (Cont'd)

Replacement Parts



Item	Part No.	Description	US List	Can. List
IMPELLERS				
20	400020	XF-8	CALL	CALL
20	400015	XF-12	108.24	111.49
20	400020	XFE-8	CALL	CALL
20	400015	XFE-12	108.24	111.49
20	400023	XFE-20	CALL	CALL
20	400020	XFDS-8	CALL	CALL
20	400015	XFDS-12	108.24	111.49
20	400020	XFDS-30	CALL	CALL
20	400020	XF-30	CALL	CALL
20	400020	XFE-30	CALL	CALL
20	400020	XFJ-8	CALL	CALL
20	400015	XFJ-12	108.24	111.49
20	400023	XFJ-20	CALL	CALL
20	400020	XFK-8	CALL	CALL
20	400015	XFK-12	108.24	111.49
20	400023	XFK-20	CALL	CALL
MOTORS				
27	3550275	2hp Standard E 230V	541.07	557.30
27	3550345	3hp Standard E 230V	707.22	728.44
27	3550155	2hp High Eff 208-230V	CALL	CALL
27	3550175	3hp High Eff 208-230V	736.67	758.77
27	3533195	5hp High Eff 208-230V	CALL	CALL
27	3595275	2hp 2 Speed 230V	CALL	CALL
27	3533185	3hp 2 Speed 230V	CALL	CALL
27	3595275	2.5hp Uprated 2 Speed 230V	CALL	CALL
27	3550275	2.5hp Uprated Standard E 230V	541.07	557.30
27	3550155	2.5hp Uprated High E 208-230V	CALL	CALL
27	3552055	2hp 3 Phase High E 208-230-460V	516.98	532.49
27	3553985	3hp 3 Phase High E 208-230-460V	625.81	644.58
27	3557045	5hp 3 Phase High E 208-230-460V	CALL	CALL
27	3548105	2hp 3 Phase TEFC 208-230-460V	CALL	CALL
27	3548125	3hp 3 Phase TEFC 208-230-460V	CALL	CALL
27	3548145	5hp 3 Phase TEFC 208-230-460V	CALL	CALL

Item	Part No.	Description	US List	Can. List
DIFFUSERS				
16	400010	XF-8	77.73	80.06
16	400010	XF-12	77.73	80.06
16	400010	XFE-8	77.73	80.06
16	400010	XFE-12	77.73	80.06
16	400011	XFE-20	CALL	CALL
16	400010	XFDS-8	77.73	80.06
16	400010	XFDS-12	77.73	80.06
16	400010	XFDS-30	77.73	80.06
16	400010	XF-30	77.73	80.06
16	400010	XFE-30	77.73	80.06
16	400010	XFJ-8	77.73	80.06
16	400010	XFJ-12	77.73	80.06
16	400011	XFJ-20	CALL	CALL
16	400010	XFK-8	77.73	80.06
16	400010	XFK-12	77.73	80.06
16	400011	XFK-20	CALL	CALL
POWER ENDS				
2	401612Z	2hp Standard E 230V	CALL	CALL
2	401613Z	3hp Standard E 230V	1609.51	1657.80
2	401609Z	2hp High Eff 208-230V	CALL	CALL
2	401610Z	3hp High Eff 208-230V	1669.24	1719.32
2	401611Z	5hp High Eff 208-230V	CALL	CALL
2	401607Z	2hp 2 Speed 230V	CALL	CALL
2	401608Z	3hp 2 Speed 230V	CALL	CALL
2	401607Z	2.5hp Uprated 2 Speed 230V	CALL	CALL
2	401612Z	2.5hp Uprated Standard E 230V	CALL	CALL
2	401609Z	2.5hp Uprated High E 208-230V	CALL	CALL
2	401629Z	2hp 3 Phase High E 208-230-460V	CALL	CALL
2	401630Z	3hp 3 Phase High E 208-230-460V	CALL	CALL
2	401631Z	5hp 3 Phase High E 208-230-460V	CALL	CALL
2	401617Z	2hp 3 Phase TEFC 208-230-460V	CALL	CALL
2	401618Z	3hp 3 Phase TEFC 208-230-460V	CALL	CALL
2	401619Z	5hp 3 Phase TEFC 208-230-460V	CALL	CALL