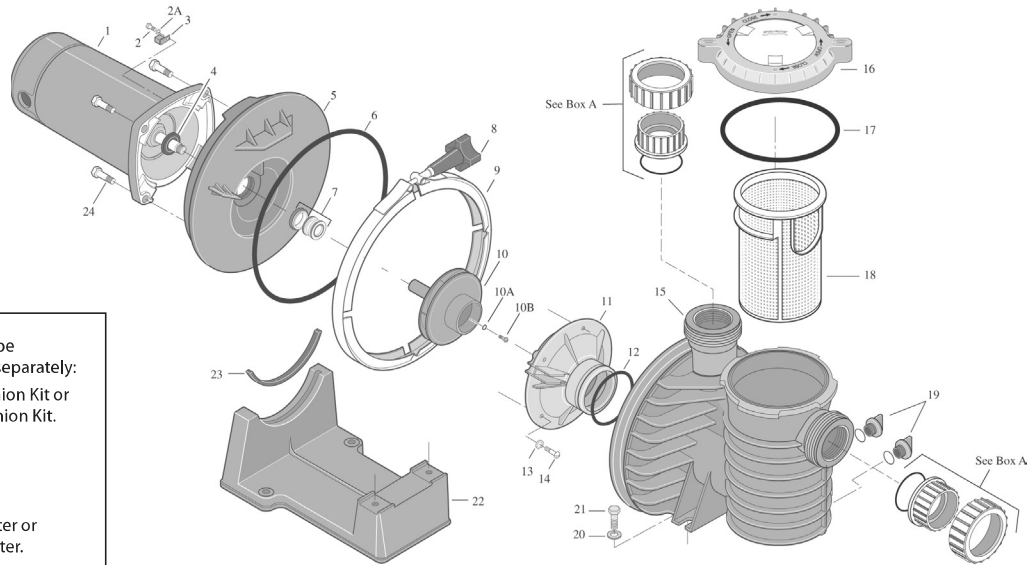


# Max-E-Pro™ Series Replacement Parts



### Box A

For quick disconnect pipe connections, purchase separately:  
 Pkg. 188 2 in. Slip 1/2 Union Kit or  
 Pkg. 189 2 in. NPT 1/2 Union Kit.  
 Includes 2 each:  
 U11-200P Union Collar  
 U9-362 O-Ring  
 U11-196P 2 in. Slip adapter or  
 U11-199P 2 in. NPT adapter.

Model No.	HP	Motor No. (Item No. 1)	Impeller (Item No. 10)	Diffuser (Item No. 11)
1 PHASE 60 HZ PUMPS - 115/230 V 1-Speed				
P6E6C-204L	1/2	AE100CHL	C105-238PX	C1-271P1
P6E6D-205L	3/4	AE100DHL	C105-238P	C1-271P1
P6R6D-205L	3/4	355021S	C105-238P	C1-271P1
P6E6E-206L	1	AE100EHL	C105-238PB	C1-271P1
P6EA6E-205L	1	AE100ELL	C105-238P	C1-271P1
P6RA6E-205L	1	A100ELL	C105-238P	C1-271P1
P6R6E-206L	1	355023S	C105-238PB	C1-271P1
P6EA6F-206L	1-1/2	AE100FLL	C105-238PB	C1-271P1
P6RA6F-206L	1-1/2	A100FLL	C105-238PB	C1-271P1
P6R6F-207L	1-1/2	355025S	C105-238PDBA	C1-271P
1 PHASE 60 HZ PUMPS - 230V 1-Speed				
P6E6F-207L *	1-1/2	AE100FHL	17307-0116 <sup>5</sup> , C105-238PDBA <sup>6</sup>	56 C1-271P
P6EAA6F-216L *	1-3/4	AE100F5LL	C105238PDCA	56 C1-271P
P6RAA6F-216L *	1-3/4	A100F5LL	C105-238PDCA	56 C1-271P
P6E6G-208L *	2	AE100GHL	17307-0117 <sup>5</sup> , C105-238PEBA <sup>6</sup>	56 C1-271P
P6EA6G-207L *	2	AE100GLL	17307-0116 <sup>5</sup> , C105-238PDBA <sup>6</sup>	56 C1-271P
P6RA6G-207L *	2	A100GHL	17307-0116 <sup>5</sup> , C105-238PDBA <sup>6</sup>	56 C1-271P
P6R6G-208L	2	355027S	C105-238PEBA	C1-271P
P6EAA6G-208L *	2-1/2	AE100G5LL	17307-0117 <sup>5</sup> , C105-238PEBA <sup>6</sup>	56 C1-271P
P6E6H-209L *	3	AE100HLL	17307-0118 <sup>5</sup> , C105-238PLA <sup>6</sup>	56 C1-271P
P6EAA6G-208L	2-1/2		C105-238PEBA	C1-271P
P6R6H-209L	3	355034S	17307-0118 <sup>5</sup> , C105-238PLA <sup>6</sup>	C1-271P
1 PHASE 60 HZ PUMPS - 2-Speed				
P6RA6YF-206L **	1-1/2 (Hi Speed), 1/4 (Low Speed)	A100FLL-Y	C105-238PBA	C1-271P1
P6RA6YG-207L *	2 (Hi Speed), 1/3 (Low Speed)	AE100GLL-Y	17307-0116 <sup>5</sup> , C105-238PDBA <sup>6</sup>	C1-271P

<sup>5</sup> Pumps built after 8/29/07.

<sup>6</sup> Pumps built on or before 8/29/07.

# Max-E-Pro™ Series (Cont'd)

## Replacement Parts



Model No.	HP	Motor No. (Item No. 1)	Impeller (Item No. 10)	Diffuser (Item No. 11)
3 PHASE 60 HZ PUMPS - 230/115 V 1 Speed				
P6R6C3-204	1/2	355206S	C105-238PXA	C1-271P1
P6R6D3-205	3/4	355201S	C105-238PA	C1-271P1
P6R6E3-206	1	355203S	C105-238PBA	C1-271P1
P6R6F3-207	1-1/2	355204S	C105-238PDBA	C1-271P
3 PHASE 60 HZ PUMPS - 230 V 1 Speed				
P6R6G3-208	2	355205S	C105-238PEBA	C1-271P
P6R6H3-209	3	355398S	17307-0118 <sup>5</sup> , C105-238PLA <sup>6</sup>	C1-271P
3 PHASE 60 HZ PUMPS - 200/400v 1 Speed				
P6R62D3-186	3/4	AP100DH2	C105-238A	C1-271P1
P6R62E3-187	1	AP100EH2	C105-238PBA	C1-271P1
P6R62F3-188	1-1/2	AP100FH2	C105-238PDBA	C1-271P
P6R62G3-189	2	AP100GH2	C105-238PEBA	C1-271P

Model No.	HP	Motor No. (Item No. 1)	Impeller (Item No. 10)	Diffuser (Item No. 11)	Motor Base
575 Volts, 3-Phase Models:					
P6EA6D36-204 *	3/4	16502-0024	C105-238PX	C1-271P1	C104-79P
P6EA6E36-205 *	1	16503-0024	C105-238P	C1-271P1	C104-79P
P6EA6G36-207	2	62001-1020	17307-0116 <sup>5</sup> , C105-238PDBA <sup>6</sup>	C1-271P	C104-79P
P6E6H36-209	3	62001-1021	17307-0118 <sup>5</sup> , C105-238PLA <sup>6</sup>	C1-271P	C104-79P

Item	Part No.	Description	US List	Can. List
<b>MAX-E-PRO SERIES REPLACEMENT PARTS</b>				
1	Chart	Motor	CALL	CALL
2	U30-6925S	#10-32 x 1/2 in. Screw	1.82	1.87
2A	U43-225S	Lock Washer	1.63	1.68
3	U17-568	Bonding Lug	9.30	9.58
4	17351-0009	Water Slinger	1.60	1.65
5	C203-194P	Seal Plate Kit (Incl. Part Nos. 6, 7)	142.96	147.25
6	U9-228A	O-Ring	8.33	8.58
7	37400-0028S	Shaft Seal, Viton	33.13	34.12
8	WC36-22	Clamp Knob	10.94	11.27
9	C19-37A	Clamp	89.06	91.73
10	Chart	Impeller	CALL	CALL
10A	35505-1426	Impeller Screw O-Ring	0.92	0.95
10B	Chart	Impeller Screw	CALL	CALL
11	Chart	Diffuser	CALL	CALL
12	U9-374	Diffuser O-Ring	4.82	4.96
13	U43-215S	#8 Lock Washer	1.49	1.53
14	U30-5425S	Screw (w/C1-271P1 Diffuser)	1.92	1.98
15	17307-0110S	Tank Body Assembly <sup>2</sup>	265.30	273.26
16	17307-0111S	Trap Cover Assembly <sup>1</sup>	60.00	61.80
17	35505-1440	Trap O-Ring	15.86	16.34

Item	Part No.	Description	US List	Can. List
18	C8-58P	Basket	11.77	12.12
19	U178-920P	1/4 in. NPT Drain Plug	2.84	2.93
19	U9-359	Drain Plug O-Ring	CALL	CALL
20	U43-41SS	Base Washer	1.75	1.80
21	U30-918SS	Base Screw	4.34	4.47
22	C4-78P	Base w/Motor Pad ***	38.75	39.91
22	C104-79P	Base w/Motor Pad (3 HP only)	39.66	40.85
23	C35-43	Motor Pad	4.64	4.78
23	C35-44	Motor Pad (3 HP only)	6.85	7.06
24	U30-745S	3/8-16 x 1 in. Hex Hd. Screw	3.75	3.86
24	U30-995S	3/8-16 x 1 in. Hex Hd. Screw (3 HP only)	7.47	7.69
<b>NOT SHOWN</b>				
	U27-68	Voltage Sticker - 230 Volts (Single voltage models only)	0.30	0.31
	U27-153	Voltage Sticker - 115/230 Volts (Dual voltage models only)	0.80	0.82

<sup>1</sup> Includes Trap Cover, Trap Ring and Trap Cover O-Ring.

<sup>2</sup> Includes Trap Body, Basket, Drain Plugs, and Trap Cover Assembly.

<sup>3</sup> Uses Key No. 10B Impeller Screw No. 37337-6080.

<sup>4</sup> Uses Key No. 10B Impeller Screw No. 37337-6081.