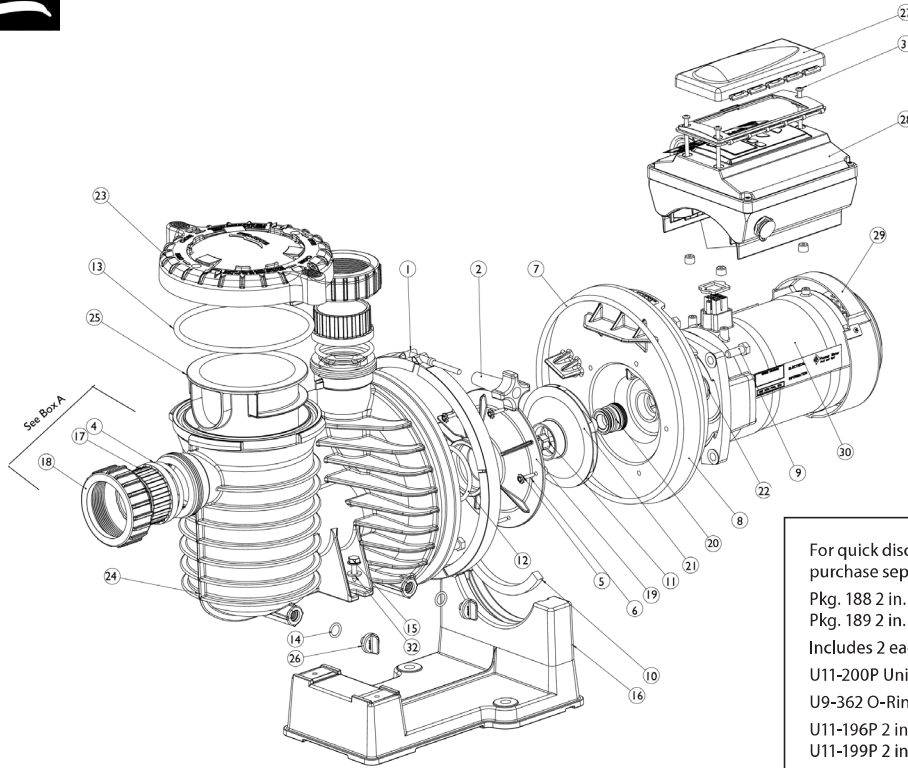


# IntelliPro® Variable Speed Pump

## Replacement Parts



Box A

For quick disconnect pipe connections, purchase separately:  
 Pkg. 188 2 in. Slip 1/2 Union Kit or  
 Pkg. 189 2 in. NPT 1/2 Union Kit.  
 Includes 2 each:  
 U11-200P Union Collar  
 U9-362 O-Ring  
 U11-196P 2 in. Slip adapter or  
 U11-199P 2 in. NPT adapter.

Item	Part No.	Description	US List	Can. List
<b>INTELLIPRO VARIABLE SPEED PUMP</b>				
1	C19-37A	V-Clamp	89.06	91.73
2	WC36-22	Clamp, Knob	10.94	11.27
3	350122	Cable 50ft 2 COND, IntelliFlo to IntelliTouch (Not Shown).	144.68	149.02
4	U9-362	Orng #2- 231 buna N 70 DU	CALL	CALL
5	U43-215S	#8 Ext Tooth Wshr, 5 req.	CALL	CALL
6	U30-9225S	Mach SCR HX HD 8- 32, 5 req.	CALL	CALL
7	U9-228A	O- Ring Sealplate, 1 req.	CALL	CALL
8	C103-194P	Sealplate.	CALL	CALL
9	U30-995S	3/8-16 x 1 in. SOC CAP SCR	CALL	CALL
10	C35-11	Motor Pad	CALL	CALL
11	37337-6080	Impeller Screw	CALL	CALL
12	U9-374	O-Ring Diffuser	CALL	CALL
13	35505-1440	O-Ring 6.90 O. D 6.35 I. D	15.86	16.34
14	U9-359	ORNG #2 - 112 N674- 70 Drain Plug	CALL	CALL
15	U30-9185S	SCR 5/16-14 x 1 in. LG HI-LO Hex	4.34	4.47
16	C4-78P	Base	38.75	39.91
17	U11-196PS	Adaptor Union 2 in. Slip	7.68	7.91
18	U11-200PS	Collar Union 2 in.	9.30	9.58
19	C1-271P	Diffuser	26.34	27.13
20	37400-0028S	Shaft Seal, Viton	33.13	34.12
21	C105-238PLA	Imp. Assy. 3 Phase	71.58	73.73
22	17351-0009	Slinger. Pump Shaft 1/16 in.	1.60	1.65

Item	Part No.	Description	US List	Can. List
23	17307-0111S	Trap Cover Assy. (Contains: Trap Cover, Trap Ring and Cover O- Ring)	60.00	61.80
24	17307-0110S	Tank Body Assy. Max- E- Pro Pump SVC 18 (Trap Body, Basket, Drain Plugs and Trap Cover Assy.)	265.30	273.26
25	C8-58P	Trap Basket	11.77	12.12
26	U78-920P	Drain Plug	1.69	1.74
27	350701	Cover Control Assy. Kit, Black (Contains: Cover Assy., Hardware/ Gasket Kit, Inst.)	185.23	190.79
28	353252	IntelliPro Variable Speed Drive Kit - Includes Drive and Control Cover Assy.	1187.81	1223.44
29	352501	Fan Motor Kit Black IntelliFlo (Contains: Fan Shroud, Fan, Hardware)	CALL	CALL
30	357294S	Motor VFD 3.2KW PMSW, Black	917.57	945.10
31	350612	Hardware/Gasket Kit (Contains: 3 Screws, 3 Spacer, and Drive Gasket)	92.45	95.22
32	U43-415S	Washer 5/16 in.	1.75	1.80

<sup>1</sup> Includes Trap Cover, Trap Ring and Cover O-Ring.

<sup>2</sup> Includes Trap Body, Basket, Drain Plugs and Trap Cover Assembly.