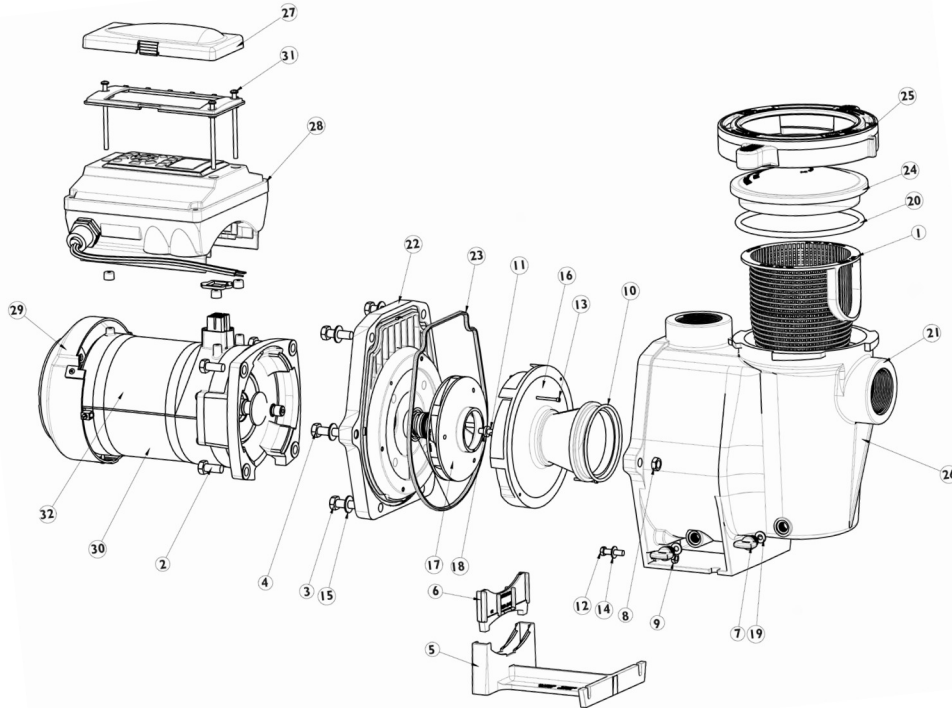


IntelliPro® VS+SVRS Pump

Replacement Parts



Item	Part No.	Description	US List	Can. List
INTELLIPRO VS+SVRS				
1	070387	Basket WF	16.44	16.93
2	070429	Bolt hex HD, 2-56 x .875 S/S, 4 req.	2.35	2.42
3	070430	Bolt, 3/8-16 x 1-1/4 hex cap 18-8 S/S, 4 req.	2.14	2.20
4	070431	Bolt, 3/8-16 x 2 hex cap 18-8 S/S, 2 req.	2.35	2.42
5	357159	Foot WF, pump motor support, black	32.81	33.79
6	357160	Foot insert WF pump, black	16.44	16.93
7	357161	Plug drain WFE, black, 2 req.	3.43	3.53
8	071403	Nut, 3/8-16 brass nickel plated, 2 req.	1.33	1.37
9	071406	Nut, 1/4-20 hex S/S, 2 req.	1.33	1.37
10	355227	O-ring #238, 3.484 x .139, buna N 70	2.80	2.88
11	071652	Screw, 1/4, 20 x 1 LH phillips pan MS 18-8 S/S, 1 req.	2.23	2.30
12	071657	Screw, 1/4-20 x 1 in. hex cap 18-8 S/S, 2 req.	1.33	1.37
13	071660	Screw set, 4-40 x 1-1/8 WFE sckt cap 18-8 S/S, 2 req.	2.80	2.88
14	072183	Washer, flat 1/4 x 5/8 20GA thick 18-8 S/S, 2 req.	1.33	1.37
15	072184	Washer, 3/8 ID x 7/8 OD .05 thick 18-8 S/S, 6 req.	1.33	1.37
16	072928	Diffuser assembly 12, black	77.73	80.06
17	073131	Impeller, IntelliPro VS+SVRS	85.38	87.94
18	175713	Rubber washer, WFE pump, 1 req.	CALL	CALL
19	192115	O-ring 112, .487 x .103 buna-N 70, 2 req.	1.08	1.11
20	350013	O-ring lid CH/WF 2-436, 1 req.	2.63	2.71
21	357157	Housing WFE, black	195.23	201.09
22	350101	Seal plate kit, WFE, black (Includes mechanical seal installed - No Gasket)	CALL	CALL

Item	Part No.	Description	US List	Can. List
22	350203	Sealplate Kit, Black w/ gasket (includes mechanical seal installed and seal plate gasket)	172.24	177.41
23	357102	Almond Gasket for Seal plate ²	5.34	5.50
23	357100	Black Gasket for Seal plate ¹	4.95	5.10
24	357151	Lid, see thru WF.	30.71	31.63
24	357150	Lid, Chemical Resistant	40.80	42.02
25	357199	Clamp cam & ramp WF, black	40.80	42.02
26	357244	Pot WF assy., black (contains 1, 7 (qty. 2), 19 (qty. 2), 20, 21, 24, 25)	408.51	420.77
27	357290	Control cover assy. kit, black (contains cover assy., hardware/gasket kit, instr.)	CALL	CALL
28	358290	IntelliPro VS+SVRS Drive Kit, black - Contains Drive and Control Cover Assy.	Pump Serial Number required for ordering this part	
29	352501	Motor fan kit, black (contains fan, shroud, hardware).	CALL	CALL
30	3572945	Motor VFD 3.2KW PMSM replacement, black	917.57	945.10
31	350612	Hardware/gasket assy. kit (contains 3 screws, 3 spacer caps and drive gasket)	92.45	95.22
NOT SHOWN				
	350122	50 ft. Communication Cable	144.68	149.02
	350310	Junction Box Cover - Black	84.46	86.99

¹ Used on pumps manufactured after 2/1/08.

² Used on pumps manufactured before 2/1/08.

³ Contact factory for IntelliFlo VS+SVRS.

* Not serviceable parts.