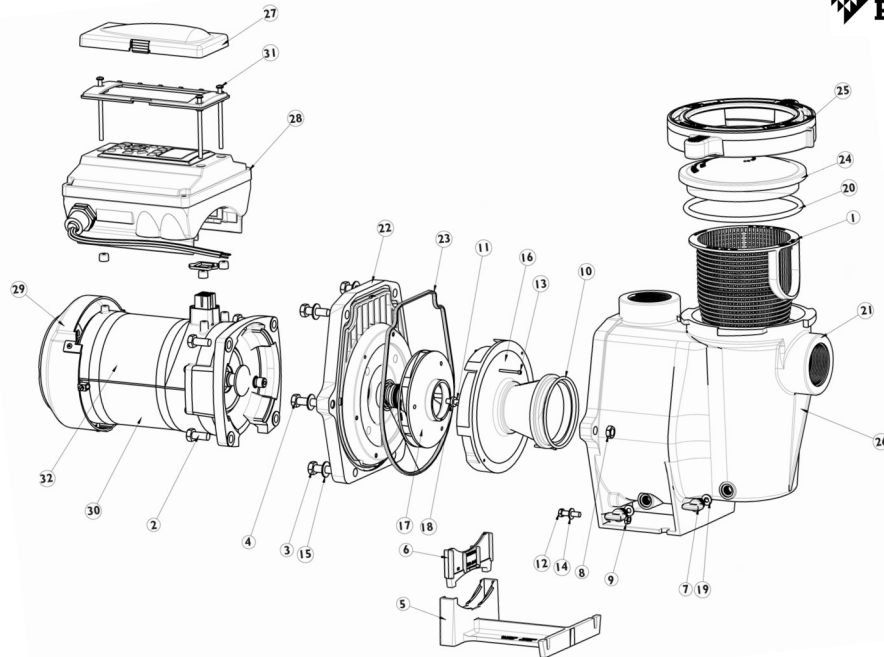


# IntelliFlo® Variable Speed & VS+SVRS Pump

## Replacement Parts



Item	Part No.	Description	US List	Can. List
<b>INTELLIFLO VARIABLE SPEED &amp; INTELLIFLO VS+SVRS</b>				
1	070387	Basket WF	16.44	16.93
2	070429	Bolt hex HD, 2-56 x .875 S/S, 4 req.	2.35	2.42
3	070430	Bolt, 3/8-16 x 1-1/4 hex cap 18-8 S/S, 4 req.	2.14	2.20
4	070431	Bolt, 3/8-16 x 2 hex cap 18-8 S/S, 2 req.	2.35	2.42
5	070927	Foot WF, pump motor support, almond	32.81	33.79
6	070929	Foot insert WF pump, almond	16.44	16.93
7	071131	Plug drain WFE, almond, 2 req.	5.26	5.42
8	071403	Nut, 3/8-16 brass nickel plated, 2 req.	1.33	1.37
9	071406	Nut, 1/4-20 hex S/S, 2 req.	1.33	1.37
10	355227	O-ring #238, 3.484 x .139, buna N 70	2.80	2.88
11	071652	Screw, 1/4, 20 x 1 LH phillips pan MS 18-8 S/S, 1 req.	2.23	2.30
12	071657	Screw, 1/4-20 x 1 in. hex cap 18-8 S/S, 2 req.	1.33	1.37
13	071660	Screw set, 4-40 x 1-1/8 WFE sckt cap 18-8 S/S, 2 req.	2.80	2.88
14	072183	Washer, flat 1/4 x 5/8 20GA thick 18-8 S/S, 2 req.	1.33	1.37
15	072184	Washer, 3/8 ID x 7/8 OD .05 thick 18-8 S/S, 6 req.	1.33	1.37
16	072928	Diffuser assembly 12, black	77.73	80.06
17	073131	Impeller, IntelliFlo	85.38	87.94
18	175713	Rubber washer, WFE pump, 1 req..	CALL	CALL
19	192115	O-ring 112, .487 x .103 buna -N 70, 2 req.	1.08	1.11
20	350013	O-ring lid CH/WF 2-436, 1 req.	2.63	2.71
21	350015	Housing WFE, almond	195.23	201.09
22	350201	Seal plate kit, WFE, almond (Includes mechanical seal installed)	175.70	180.97
22	350202	Sealplate Kit, Almond w/ gasket (includes mechanical seal installed and seal plate gasket)	172.24	177.41
23	357102	Almond Gasket for Seal plate <sup>2</sup>	5.34	5.50

Item	Part No.	Description	US List	Can. List
23	357100	Black Gasket for Seal plate <sup>1</sup>	4.95	5.10
24	357151	Lid, see thru WF.	30.71	31.63
24	357156	Lid, Chemical Resistant	57.90	59.64
25	357199	Clamp cam & ramp WF, almond	40.80	42.02
26	357243	Pot WF assy., almond (contains 1, 7 (qty. 2), 19 (qty. 2), 20, 21, 24, 25	408.51	420.77
27	350601	Control cover assy. kit, almond (contains cover assy., hardware/gasket kit, instr.)	185.23	190.79
28	353251	IntelliFlo Variable Speed Drive Kit - Contains Drive and Control Cover Assy.	1222.07	1258.73
28	351021	IntelliFlo VS+SVRS Drive Kit - Contains Drive and Control Cover Assy.		Pump Serial Number required for ordering this part
29	352401	Motor fan kit, almond (contains fan, shroud, hardware).	CALL	CALL
30	3501055	Motor VFD 3.2KW PMSM replacement, almond	783.22	806.72
31	350612	Hardware/gasket assy. kit (contains 3 screws, 3 spacer caps and drive gasket)	92.45	95.22
32	070117	Power end IntelliFlo VS+SVRS (Contains items 2, 4, 10, 11, 13, 15, 16, 17, 19, 22, 23, 28, 30)	CALL	CALL
<b>NOT SHOWN</b>				
	350122	50 ft. Communication Cable	144.68	149.02
	357149	Almond Volute/Seal plate Replacement Kit (Items 1, 7 (Qty 2), 19 (Qty 2), 20, 21, 22, 23, 24, 25,	256.87	264.58
	350202	Seal Plate Kit with Gasket (Items 22 & 23)	172.24	177.41
	350621	Junction Box Cover - Almond	84.46	86.99

<sup>1</sup> Used on pumps manufactured after 2/1/08.  
<sup>2</sup> Used on pumps manufactured before 2/1/08.  
<sup>3</sup> Contact factory for IntelliFlo VS+SVRS.