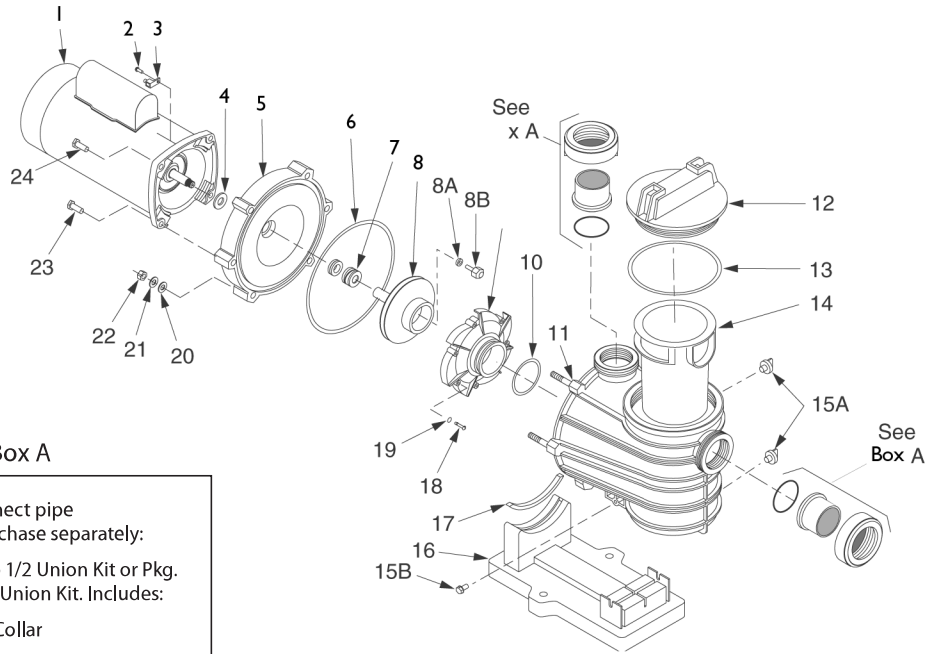


# Dyna-Glas® / Dyna-Max™ Series

## Replacement Parts



### Box A

For quick disconnect pipe connections, purchase separately:

Pkg. 188-2 in. Slip 1/2 Union Kit or Pkg. 189-2 in. NPT 1/2 Union Kit. Includes:

U11-200P Union Collar

U9-362 O-Ring

U11-196P 2 in. Slip Adapter or  
U11-199P 2 in. NPT Adapter.

POINT-OF-SALE, STOCK ROOM, SERVICE VEHICLE		
Attractive, clamshell packaging contains recommended parts for seal/gasket servicing or complete overhaul of most swimming pool/spa pumps. Eliminate the need for large parts inventories, protect parts from damage, and reduce paperwork.		
SEAL/GASKET KITS - Include Shaft Seal, Gaskets, and O-Rings		
Pump Series		Parts Pak #
MPRA, MPEA		PP3000
OVERHAUL KITS - Include Impeller, Shaft Seals, Gaskets, O-Rings, Diffuser, Diffuser Screws and other appropriate hardware.		
Pump Series	HP	Parts Pak #
MPRA, MPEA	3/4	PP3010
MPRA, MPEA	1	PP3011
MPRA, MPEA	1-1/2	PP3012
MPRA, MPEA	2	PP3013

### Motor Chart

Model No.	HP	Motor No. (Key No. 1)
Single Speed 115/230/60/1		
MPRA6D-146L	3/4	A100DLL
MPRA6E-147L	1	A100ELL
MPRA6F-148L	1-1/2	A100FLL
MPEA6D-146L	3/4	AE100DLL
MPEA6E-147L	1	AE100ELL
MPEA6F-148L	1-1/2	AE100FLL
MPFA6D-176L	3/4	A100DLL
MPFA6E-146L	1	A100ELL
MPFA6F-147L	1-1/2	A100FLL
230/60/1		
MPRA6G-155L	2	A100GLL
MPEA6G-155L	2	AE100GLL
MPEAA6G-168L	2-1/2	AE100G5LL
Two Speed 230/60/1		
MPRA6YF-174L	1-1/2	A100FLL-Y
MPRA6YF-174LS	1-1/2	A100FLL-Y
MPEA6YG-175L	2	AE100GLL-Y
MPEA6YG-175LS	2	AE100GLL-Y
MPEAA6YG-168L	2-1/2	AE100G5LL-Y
MPEAA6YG-168LS	2-1/2	AE100G5LL-Y

# Dyna-Glas® / Dyna-Max™ Series (Cont'd)

## Replacement Parts



Item	Part No.	Description	US List	Can. List
<b>DYNA-GLAS / DYNA-MAX REPLACEMENT PARTS</b>				
1	Chart	Motor	CALL	CALL
2	U30-692SS	Screw #10-32 x 1/2 in.	1.82	1.87
3	U17-568	Bonding Lug	9.30	9.58
4	17351-0009	Slinger	1.60	1.65
5	C3-184P	Seal Plate	100.32	103.33
6	U9-373	Seal Plate Cord Ring	8.08	8.32
7	37400-0027S	Shaft Seal <sup>2</sup>	24.71	25.45
8	C105-236P	Impeller, 3/4 HP - Models MPFA6D-176L, MPEA6D-146L, MPRA6D-146L, MPRA6D-146LC	40.50	41.72
8	C105-236PB	Impeller, 1 HP - Models MPEA6F-148L, MPEA6E-147L, MPFA6E-146L, MPRA6E-147L, MPRA6E-147LC	40.50	41.72
8	C105-236PC	Impeller, 1-1/2 HP - Models MPFA6F-147L, MPRA6F-148L, MPRA6F-148LC, MPRA6YF-174L, MPRA6YF-174LS	40.50	41.72
8	C105-236PDA	Impeller, 2 HP - Models MPEA6G-155L, MPRA6G-155L, MPRA6G-155LC, MPEA6YG-175L, MPEA6YG-175LS	40.50	41.72
8	C105-236PEA	Impeller, 2-1/2 HP - Models MPEAA6G-168L, MPEAA6YG-168L, MPEAA6YG-168LS	40.50	41.72
8	C105-236PF	Impeller, 1-1/2 HP (MPRA6Y, MPEA6Y and MPEAA6Y only)	40.50	41.72
8	C105-236PGAB	Impeller, 2 HP (MPRA6Y, MPEA6Y and MPEAA6Y only)	40.50	41.72
8	C105-236PEA	Impeller, 2-1/2 HP (MPRA6Y, MPEA6Y and MPEAA6Y only)	40.50	41.72
8	C105-236PJ	Impeller, 3/4 HP (MPFA6D, MPFA6E, MPFA6F only)	40.50	41.72
8	C105-236P	Impeller, 1 HP (MPFA6D, MPFA6E, MPFA6F only)	40.50	41.72
8	C105-236PB	Impeller, 1 HP (MPFA6D, MPFA6E, MPFA6F only)	40.50	41.72
8A	33455-1047	Gasket - 2 HP, 2-1/2 HP	5.91	6.09
8B	37337-6080	Impeller Lock Screw	16.45	16.94

Item	Part No.	Description	US List	Can. List
9	C1-270P	Diffuser - 1-1/2 HP, 2 HP, 2-1/2 HP	25.11	25.86
9	C1-270PB	Diffuser - 3/4 HP, 1 HP (MPFA6D, MPFA6E, MPFA6F only)	25.11	25.86
9	C1-270PC	Diffuser - 1-1/2 HP (MPFA6D, MPFA6E, MPFA6F only)	25.11	25.86
10	U9-374	Diffuser O-Ring	4.82	4.96
11	C76-58P	Tank and Trap Body (Only)	208.99	215.26
12	C3-185P	Trap Cover	52.54	54.12
12A	C3-185P3	Trap Cover (Biquanide Resistant)	69.85	71.95
13	U9-375	Trap Cover O-Ring	14.24	14.67
14	C8-58P	Trap Basket	11.77	12.12
15A	U78-920P	Drain Plug without O-ring	1.69	1.74
15B	U30-919SS	Mounting Screw 5/16-14 x 5/8 in.	3.73	3.84
16	C4-77P	Base - Plastic	42.42	43.69
17	C35-45	Motor Pad - for Plastic Base	3.85	3.97
17	C35-5	Motor Pad - for Steel Base (LS Suffix)	21.49	22.13
18	U30-542SS	Screw #8-32 x 7/8 in. Rd. Hd.	1.92	1.98
19	U43-21SS	Lock Washer #8 Ext. Tooth	1.49	1.53
20	U43-62SS	Flat Washer 3/8 in.	1.49	1.53
21	U43-12SS	Lock Washer 3/8 in.	2.33	2.40
22	U36-38SS	Nut 3/8-16 Hex	2.37	2.44
23	U30-75SS	Cap Screws 3/8 x 16 x 1-3/4 in. Hex. (LS Suffix)	2.45	2.52
24	U30-74SS	Cap Screws 3/8 x 16 x 1 in. Hex <sup>1</sup>	3.75	3.86
<b>NOT SHOWN</b>				
	U43-12SS	Lock Washer 3/8 in. (LS Suffix)	2.33	2.40
	U9-359	Drain Plug O-Ring	CALL	CALL
	17303-0113	Base - Steel (LS Suffix)	39.98	41.18
	U27-153	Voltage Sticker	0.80	0.82
	C63-12	Tag. "WARNING/CAUTION/Instructions..."	4.28	4.41

<sup>1</sup> Models with "LS" suffix use 2 only.

<sup>2</sup> Replaces U109-358SS (effective 6/00).