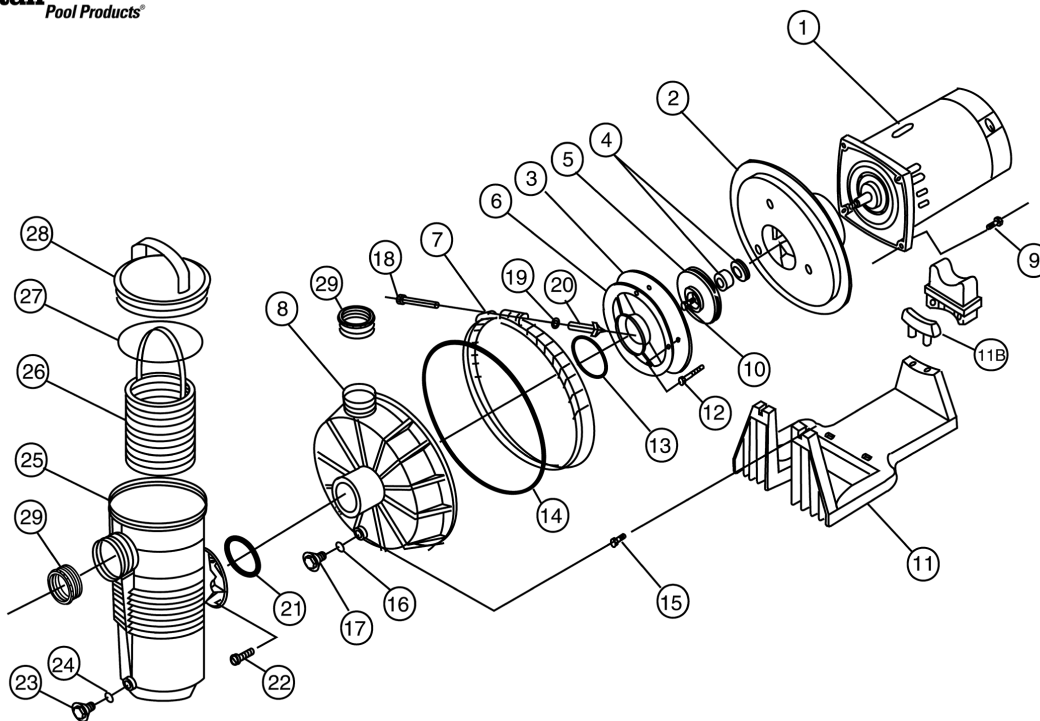


Challenger® High Pressure Pump

Replacement Parts for Swimming Pool Pumps



Item	Part No.	Description	US List	Can. List
CHALLENGER HIGH PRESSURE PUMPS				
MOTORS				
1	355371S	1/2F, 3/4A std. sq. flg., 115/230, 25 lbs.	254.50	262.14
1	355339S	3/4F, 1A std. sq. flg., 115/230, 25 lbs.	288.64	297.30
1	355340S	1F, 1-1/2A std. sq. flg., 115/230, 28 lbs.	320.88	330.51
1	355342S	1-1/2F, 2A std. sq. flg., 115/230, 32 lbs.	397.58	409.51
1	355702S	2F, 2-1/2A std. sq. flg., 230 only, 32 lbs.	469.60	483.69
1	355703S	3F std. sq. flg., 230 only	610.94	629.27
1	355391S	3/4FE, 1AE sq. flg., 115/208/230, 32 lbs.	308.36	317.61
1	355392S	1FE, 1-1/2AE sq. flg., 115/208/230, 34 lbs.	334.84	344.89
1	355393S	1-1/2FE, 2AE sq. flg., 208/230, 30 lbs.	407.60	419.83
1	355394S	2FE, 2-1/2AE sq. flg., 208/230, 36 lbs.	485.81	500.38
1	355395S	3FE, 1 ph sq. flg., 208/230, 40 lbs.	614.07	632.49
1	355398S	3FE, 3 ph sq. flg., 208/230/460, 35 lbs.	625.81	644.58
1	355375S	3/4F, 1A std. sq. flg., 2 sp. 115 only, 28 lbs.	419.80	432.39
1	355376S	1F, 1-1/2A std. sq. flg., 2 sp. 230 only, 33 lbs.	431.88	444.84
1	355377S	1-1/2F, 2A std. sq. flg., 2 sp. 230 only, 36 lbs.	522.86	538.55
1	355378S	2F, 2-1/2A std. sq. flg., 2 sp. 230 only, 39 lbs.	653.63	673.24
2	355004	Plate, seal	86.89	89.50

Item	Part No.	Description	US List	Can. List
3	355384	Plate, mounting 1/2F, 3/4A	25.95	26.73
3	355317	Plate, mount 3/4F thru 3F, 1A thru 2-1/2A	12.75	13.13
4	354545S	Seal, 5/8 in. mechanical PS 200	24.48	25.21
5	355147	Impeller, 1/2F, 3/4A	46.54	47.94
5	355187	Impeller, 3/4F, 1A	47.46	48.88
5	355369	Impeller, 1F, 1-1/2A	48.17	49.62
5	355315	Impeller, 1-1/2F, 2A	48.36	49.81
5	355604	Impeller, 2F, 2-1/2A ¹	48.92	50.39
5	355544	Impeller, 3F	63.16	65.05
6	355148	Diffuser, 1/2F, 3/4A	28.36	29.21
6	355188	Diffuser, 3/4F, 1F, 1A, 11/2A	27.64	28.47
6	355270	Diffuser, 1-1/2F, 2A	28.57	29.43
6	355545	Diffuser, 3F, 2.5A, 2F ²	79.59	81.98
7	355320	Band, clamp assembly complete	74.10	76.32
8	355468	Housing, front, black	126.85	130.66
8	355469	Housing, front, almond	126.85	130.66
9	354290	Screw, 3/8 in., 16 SS hex hd.	2.27	2.34
10	355389	Screw, imp. locking	1.33	1.37
11	355305	Base, pump ³	42.30	43.57
11B	355385	Adapter, 5-5/8 in. dia. motor ⁴	10.80	11.12
12	355334	Screw, 8-32 x 1 in. SS hex wsh. hd., 3 req.	1.33	1.37
13	355331	O-ring, diffuser	1.43	1.47

Challenger® High Pressure Pump (Cont'd)

Replacement Parts



Item	Part No.	Description	US List	Can. List
CHALLENGER HIGH PRESSURE PUMPS				
14	355329	O-ring, front housing	14.35	14.78
15	355335	Screw, 5/16 in., 18 x 1/2 in. SS hex wsh. hd., 2 req.	1.33	1.37
16	192115	O-ring, drain plug	1.08	1.11
17	154699	Plug, 1/4 in. drain	CALL	CALL
18	152060	Bolt, 5/16 in., 18 x 4 in. carriage ⁵	9.16	9.43
19	072173	Washer, 5/16 in. SS flat	1.51	1.56
20	174882	Knob (fits clamp w/removable bolt only)	30.09	30.99
20	175025	Knob (fits clamp w/captured t-bolt only)	30.09	30.99
21	355330	O-ring, strainer pot flange	1.51	1.56
22	354265	Screw, 5/16 in., 18 x 3/4 in. SS hex wsh. hd., 4 req.	1.83	1.88
23	154699	Plug, 1/4 in. drain	CALL	CALL
24	192115	O-ring, drain plug	1.08	1.11
25	355300	Pot strainer	125.05	128.80
26	355318	Basket, plastic strainer (all except 3F)	35.10	36.15
26	355441	Basket, SS strainer (3F only)	161.65	166.50
27	350013	O-ring, lid	2.63	2.71
28	355301	Lid, strainer pot	55.06	56.71
28	354112	Lid, strainer pot chemical resistant	55.06	56.71
29	552377	Bushing, reducer 1/2F, 3/4F, 3/4A, 1A	12.23	12.60
POWER END ASSEMBLIES (INCLUDES ITEMS 1-6, 9, 10, 12 AND 13)				
	355670	CH-N1-1/2F, 3/4A std. power end 115/230	845.71	871.08
	355671	CH-N1-3/4F, 1A std. power end 115/230	895.92	922.80
	355672	CH-N1-1F, 1-1/2A std. power end 115/230	961.18	990.02
	355669	CH-N1-11/2F, 2A std. power end 230 only	1132.03	1165.99
	355673	CH-N1-3/4FE, 1AE power end 115/208/230 ¹	974.07	1003.29

Item	Part No.	Description	US List	Can. List
	355674	CH-N1-1FE, 1-1/2AE power end 115/208/230 ¹	1071.61	1103.76
	355675	CH-N1-1-1/2FE, 2AE power end 208/230 ¹	1149.14	1183.61
	355676	CH-N1-2FE, 2-1/2AE power end 208/230 ¹	1448.95	1492.42
	355677	CH-N1-3FE, 1 ph power end 208/230 ¹	1911.61	1968.96
	355678	CH11-N1-3FE, 3 ph power end 208/230/460 ¹	1844.75	1900.09
	355679	CH-N2-3/4F, 1A 2 sp. std. power end 115 only	1155.03	1189.68
	355680	CH-N2-1F, 1-1/2A 2 sp. std. power end 230 only	1188.10	1223.74
	355681	CH-N2-1-1/2F, 2A 2 sp. std. power end 230 only	1390.58	1432.30
	355682	CH-N2-2F, 2-1/2A 2 sp. std. power end 230 only	1652.85	1702.44
NOT SHOWN				
	355302	Housing booster pump	175.50	180.77
	355309	Union Kit	93.73	96.54
	357391	Pot Assembly, Black with SS basket (3F Only) Includes items 23-28	589.67	607.36
	359507	Pot Assembly, Black with plastic bracket (all models except 3F and 5F) Includes items 23-28.	220.71	227.33

¹ Used on 2F, 2-1/2A pumps built after 10-1-92.

² Used on 2F, 2-1/2A pumps built prior to 10-1-92. Must replace w/both diffuser 355545 & impeller 355604.

³ Pump base, (item 11) includes dual radius motor support adapter (item 11B), which fits both 5-5/8 in. & 6-1/2 in. dia. motors.

⁴ Item 11A motor support is a replacement part that fits only older style pump bases with rectangular opening.

⁵ Carriage bolt (item 18) fits prev. style clamp band assembly (item 7).

Note: Challenger booster pumps consist of items 1-20.

Note: Challenger pool pumps consist of all items except item 15.

Product on pages 162-163.

Replacement baskets on page 130.