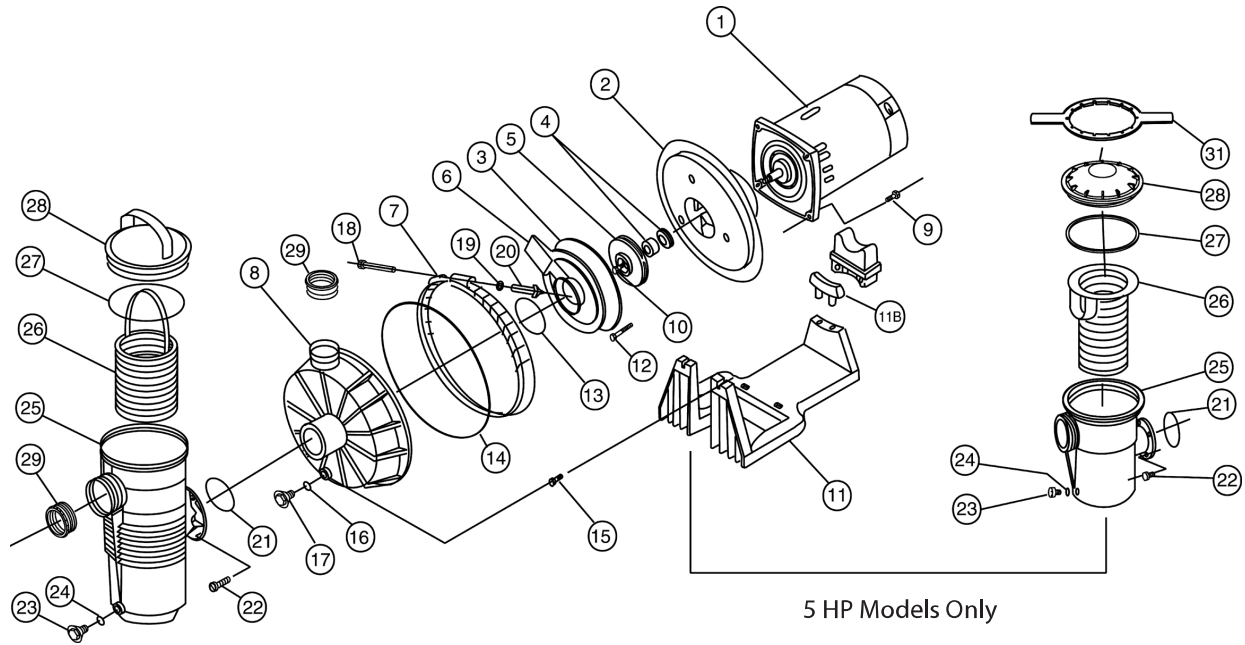


Challenger® High Flow Pump

Replacement Parts for Swimming Pool Pumps



5 HP Models Only

Item	Part No.	Description	US List	Can. List
CHALLENGER HIGH FLOW PUMPS				
MOTORS				
1	3553715	1/2F, 1/4A std. sq. flg., 115/230, 25 lbs.	254.50	262.14
1	3553395	3/4F, 1A std. sq. flg., 115/230, 25 lbs.	288.64	297.30
1	3553405	1F, 1-1/2A std. sq. flg., 115/230, 28 lbs.	320.88	330.51
1	3553425	1-1/2F, 2A std. sq. flg., 230 only, 32 lbs.	397.58	409.51
1	3557025	2F, 2-1/2A std. sq. flg., 230 only, 32 lbs.	469.60	483.69
1	3557035	3F std. sq. flg. 230 only	610.94	629.27
1	3553915	3/4FE, 1AE sq. flg. 115/208/230, 32 lbs.	308.36	317.61
1	3553925	1FE, 1-1/2AE sq. flg. 115/208/230, 34 lbs.	334.84	344.89
1	3553935	1-1/2FE, 2AE sq. flg. 208/230, 30 lbs.	407.60	419.83
1	3553945	2FE, 2-1/2AE sq. flg. 208/230, 36 lbs.	485.81	500.38
1	3553955	3FE, 1 ph sq. flg. 208/230, 40 lbs.	614.07	632.49
1	3553985	3FE, 3 ph sq. flg. 208/230/460, 22 lbs., black	625.81	644.58
1	3553755	3/4F, 1A std. sq. flg. 2 sp. 115 only, 28 lbs.	419.80	432.39
1	3552325	3/4F, 1A std. sq. flg. 2 sp. 230 only, 28 lbs.	381.38	392.82
1	3553765	1F, 1-1/2A std. sq. flg. 2 sp. 230 only, 33 lbs., black	431.88	444.84
1	3553775	1-1/2F, 2A std. sq. flg. 2 sp. 230 only, 36 lbs.	522.86	538.55
1	3553785	2F, 2-1/2A std. sq. flg. 2 sp. 230 only, 39 lbs.	653.63	673.24
1	3557045	5FE, 3 ph, 5 HP, 230/460 sq. flg. only	760.69	783.51

Item	Part No.	Description	US List	Can. List
1	3557055	5FE, 1 ph, 5 HP	766.38	789.37
1	3552015	3/4 HP, 3 ph sq. flg. CHII-NI	329.10	338.97
1	3552035	1 HP, 3 ph sq. flg. CHII-NI	372.69	383.87
1	3552045	1-1/2 HP, 3 ph sq. flg. CHII-NI	464.89	478.84
1	3552055	2 HP, 3 ph sq. flg. CHII-NI	516.98	532.49
2	355004	Plate, seal, black (all models except 5HP)	86.89	89.50
2	355497	Plate, seal 5F, black (5HP only)	CALL	CALL
2	355528	Plate, seal (almond)	124.76	128.50
3	355028	Plate, mounting 1/2F, 3/4F, 3/4A, 1A	20.26	20.87
3	355078	Plate, mounting 1F, 1-1/2F, 1-1/2A, 2A	12.75	13.13
3	355095	Plate, mounting 2F, 2-1/2A	22.01	22.67
3	355495	Plate, mounting 5F	11.77	12.12
4	3545455	Seal, 5/8 in. mechanical	24.48	25.21
5	355043	Impeller, 1/2F, 3/4A	46.54	47.94
5	355067	Impeller, 3/4F, 1A	47.46	48.88
5	355074	Impeller, 1F, 1-1/2A	48.04	49.48
5	355086	Impeller, 1-1/2F, 2A	48.36	49.81
5	355093	Impeller, 2F, 2-1/2A	49.25	50.73
5	355068	Impeller, 3F 50 Hz/5F 60 Hz	47.46	48.88
6	355029	Diffuser, 1/2F, 3/4F, 3/4A, 1A	34.58	35.62
6	355077	Diffuser, 1F, 1-1/2F, 1-1/2A, 2A	34.58	35.62
6	355094	Diffuser, 2F, 2-1/2A	37.07	38.18
6	355069	Diffuser, 3F, 50 Hz/5F 60 Hz	31.99	32.95
7	355320	Band clamp assembly, complete	74.10	76.32

Challenger® High Flow Pump (Cont'd)

Replacement Parts



Item	Part No.	Description	US List	Can. List
CHALLENGER HIGH FLOW PUMPS				
8	355468	Housing, front, black ⁴	126.85	130.66
8	355469	Housing, front, almond ⁴	126.85	130.66
9	354290	Screw, 3/8 in., 16 hex hd., 4 req.	2.27	2.34
10	355389	Screw, impeller locking	1.33	1.37
11	355305	Base, pump ¹	42.30	43.57
11B	355385	Adapter, 5-5/8 in. dia. motor ²	10.80	11.12
12	355334	Screw, No.8, 32 hex wsh. hd., 3 req.	1.33	1.37
13	355030	O-ring, diffuser (all except 5 HP)	8.01	8.25
13	355331	O-ring diffuser, 5 HP only	1.43	1.47
14	355329	O-ring, front housing	14.35	14.78
15	355335	Screw, 5/16, 18 x 1/2 in. SS hex hd., 2 req.	1.33	1.37
16	192115	O-ring, drain plug	1.08	1.11
17	154699	Plug, 1/4 in. drain	CALL	CALL
18	152060	Bolt, 5/16, 18 x 4 in. carriage ²	9.16	9.43
19	072173	Washer, 5/16 in. SS flat	1.51	1.56
20	174882	Knob (fits clamp w/removable bolt only)	30.09	30.99
20	175025	Knob (fits clamp w/captured T-bolt only)	30.09	30.99
21	355330	O-ring, strainer pot flange	1.51	1.56
22	354265	Screw, 5/16, 18 hex wsh. hd., 4 req.	1.83	1.88
23	154699	Plug, 1/4 in. drain	CALL	CALL
24	192115	O-ring, drain plug	1.08	1.11
25	355300	Strainer, pot, black ³	125.05	128.80
25	355900	Strainer, pot, 5F 3 in. suction for all large strainer pot models, black	447.90	461.34
26	355318	Basket, plastic strainer	35.10	36.15
26	355441	Basket, SS Strainer (3F Only)	161.65	166.50
26	355901	Basket, SS strainer, 5F	350.43	360.94
27	350013	O-ring, lid	2.63	2.71
27	152509	Square ring, 8-1/2 in. (5 HP only)	6.27	6.46
28	355301	Lid, strainer pot	55.06	56.71
28	354112	Lid, strainer pot, chemical resistant	55.06	56.71
28	355902	Lid, strainer pot, 5F, clear	63.87	65.79
28	355914	Lid, strainer pot, 5F, black, chemical resistant	53.72	55.33
29	552377	Bushing, reducer 1/2F, 3/4F, 3/4A, 1A, 2 req.	12.23	12.60

Item	Part No.	Description	US List	Can. List
31	154527	Wrench, 8-1/2 in.	25.07	25.82
POWER END ASSEMBLIES (INCLUDES ITEMS 1-6, 9, 12 AND 13)				
	355636	CF-N1-1/2F, 3/4A std., 115/230	832.17	857.14
	355637	CF-N1-3/4F, 1A std., 115/230	901.56	928.61
	355638	CF-N1-1F, 1-1/2A std., 115/230	966.09	995.07
	355520	CF-N1-1-1/2F, 2A std., 230 only	1138.10	1172.24
	355984	CF-N1-3/4FE, 1AE 115/208/230	927.64	955.47
	355985	CF-N1-1FE, 1-1/2AE 115/208/230	1071.61	1103.76
	355639	CF-N1-1-1/2FE, 2AE 208/230	1143.02	1177.31
	355986	CF-N1-2FE, 2-1/2AE 208/230	1448.95	1492.42
	355640	CF-N2-3/4F, 1A 2 sp. std., 115 only	1160.65	1195.47
	355641	CF-N2-1F, 1-1/2A 2 sp. std., 230 only	1193.06	1228.85
	355642	CF-N2-1-1/2F, 2A 2 sp. std., 230 only	1384.47	1426.00
	355987	CF-N2-2F, 2-1/2A 2 sp. std., 230 only	1646.54	1695.94
	345211	CFII-N1-5FE, power end	1656.06	1705.74
	345301	CFII-N1-5F, 3 ph, power end	1580.17	1627.58
NOT SHOWN				
	355309	Union kit	93.73	96.54
	357391	Pot Assembly, Black with SS basket (3F Only) Includes items 23–28	589.67	607.36
	359507	Pot Assembly, Black with plastic bracket (all models except 3F and 5F) Includes items 23–28.	220.71	227.33

¹ Pump base (item 11) includes dual radius motor support adapter (item 11B) which fits both 5-5/8 in. & 6-1/2 in. dia. motors.

² Item 18, carriage bolt is a replacement part for old style clamp band assembly (item 7).

³ Includes items 23 & 24.

⁴ Includes items 16 & 17.

Note: Challenger booster pumps consist of 1-20.

Note: Challenger pumps consist of all items except No.15.

Note: When ordering replacement motor, give all information on motor name plate.

Product on pages 160–161.

Replacement baskets on page 130.